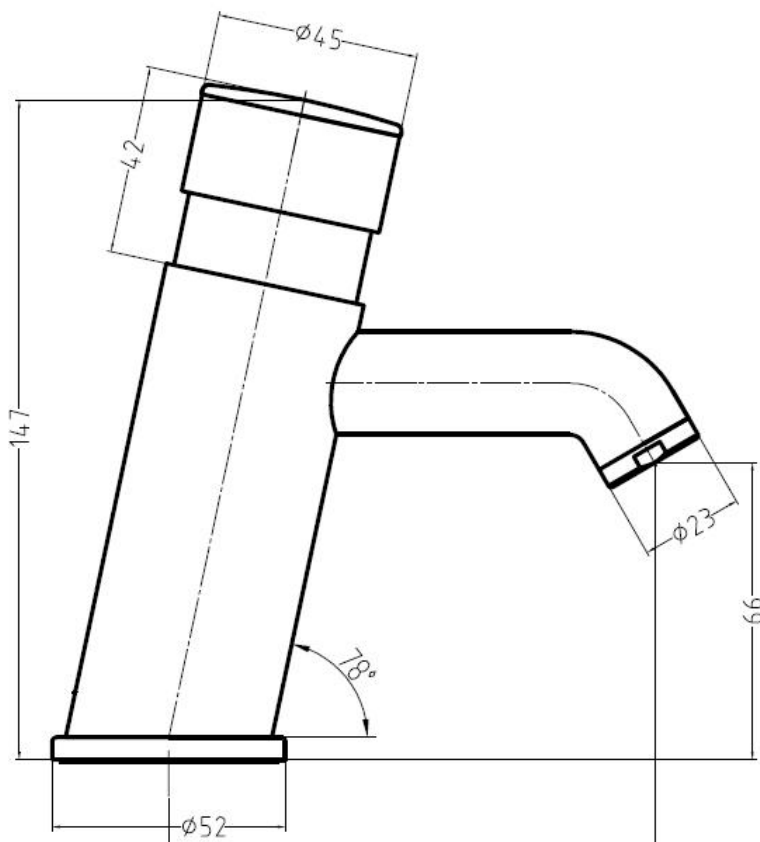


DATA SHEET

THE TUNBRIDGE WELLS
Brassware Co.

167.BCBM Non-Concussive Basin Mixer (excl. waste)



Product Code: 167.BCBM

Construction: Brass Body (CuZn40Pb18)
Zinc alloy handle

Finishes: Chrome (Ni: 8 - 12 μ m, CR: 0.25 - 0.1 μ m)

Water Pressure: Min. 0.5 bar, Max. 6.0 bar

Plumbing Systems: Suitable for all plumbing systems,
Hot and Cold water pressure preferably balanced Max. supply pressure differential requirement no greater than 5:1

Standards: Complies with BS5412, BS EN200

Cartridge: Non concussive mixer valve (adjustable)

Aerator: Spout aerator

Fitting: G1/2" BSP Female flexible inlet connection hoses supplied

Packaging: 31 x 21.5 x 36.5cm / carton (8 boxes);
Dimension: 19.5 x 14.5 x 8.5cm / box;
Weight: 1.41Kg / box

Guarantee: 1 year against manufacturing faults (excluding serviceable parts)

Additional Information: Suitable for cold or premixed single water feed
Adjustable flow time (between 6-9 seconds)

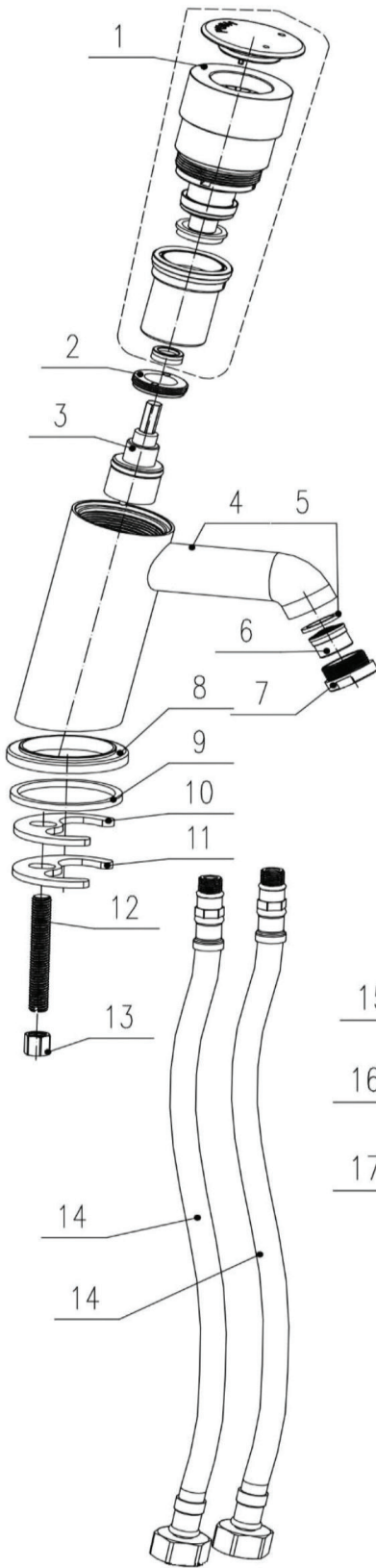
Flow Rates (litres per minute)

System Pressure	0.1 Bar	0.2 Bar	0.3 Bar	0.5 Bar	1.0 Bar	1.5 Bar	2.0 Bar	3.0 Bar	4.0 Bar	5.0 Bar
167.BCBM	-	2.7	-	3.1	4.7	-	6.5	8.6	-	-

All dimensions are in millimetres unless otherwise stated. The information contained on this page was correct at date of issue. Fitting dimensions are provided as a guide only. Some variation may occur due to manufacturing tolerances. We pursue a policy of continuing improvement in design and performance of our products and so reserve the right to change specifications without prior notice.

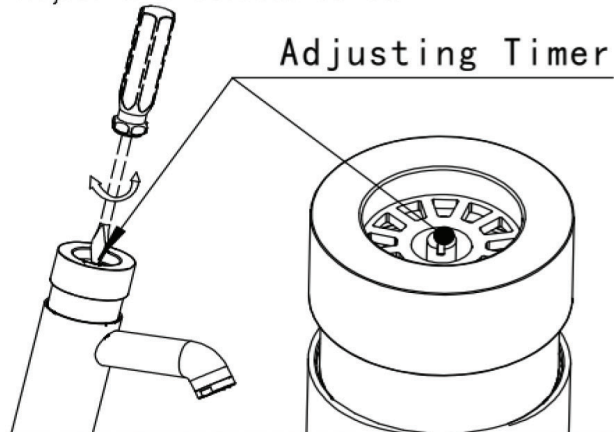
167.BCBM

THE TUNBRIDGE WELLS
Brassware Co.



3

1. Use the hand to hold the handle tight when adjust the time.
2. Turn screwdriver anti-clockwise to reduce the waterflow time. Turn screwdriver clockwise to increase waterflow time. Adjust time between 6s-9s.



17	G1/2 adapter	2
16	φ15 plastic check valve	2
15	gasket with strainer	2
14	G1/2" braided tube	2
13	M8 brass nut	1
12	M8 stainless steel screw	1
11	stainless steel catch	1
10	rubber gasket	1
9	φ48 rubber gasket	1
8	φ52*6.5 flange	1
7	φ23 outlet	1
6	M20x1 bubbler	1
5	washer	1
4	tap body	1
3	Water valve core	1
2	M24x1 valve core holder	1
1	Time adjustable valve	1
NO	PCP Name	Amount

- Flow Rate: 0.14L/S in 10 Sec / 2 Bar
- Max. Working Pressure: 5 Bar
- Min .Working Pressure: 0.3 Bar.
- Cut Off Times : 4-12 Sec / 2Bar
- Max. Working Temperature:55 Degrees Celcius Between Max.And Min. Working Pressure.