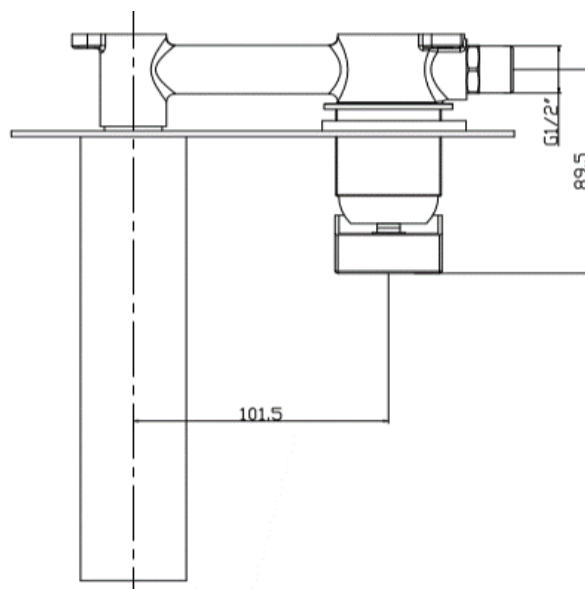
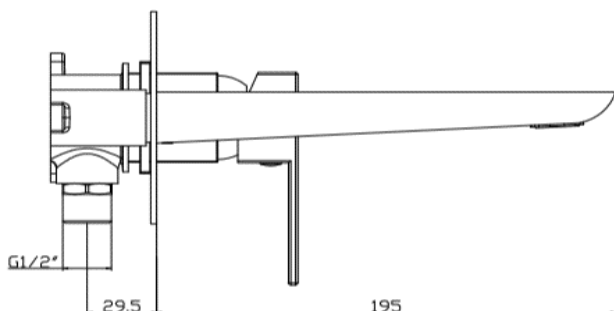
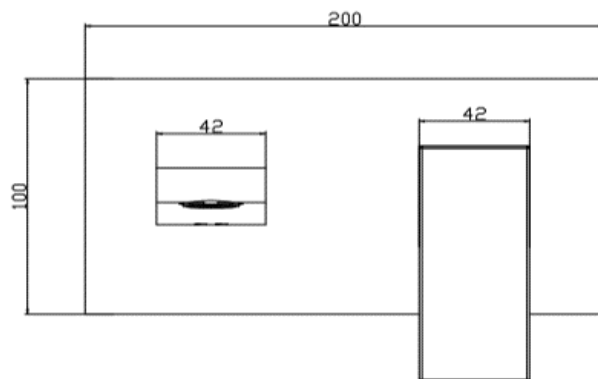


## Bedgebury Wall Mounted Basin Mono Mixer



**Product Code:** Matt Black 167.BBWMBMBL

**Construction:** Brass Body (CuZn40Pb2), EN CW617N (equivalent to BS CZ122) Zinc-alloy handle, stainless steel face plate

### Water

**Pressure:** Min. 0.2 bar, Max. 6.0 bar

**Plumbing Systems:** Suitable for all plumbing systems, Hot and Cold water pressure preferably balanced. Max. supply pressure differential requirement no greater than 5:1

**Standards:** Complies with BS5412, BS EN200

**Cartridge:** 35mm Wanhai® ceramic disc

**Aerator:** M24\*1 Spout aerator

**Fitting:** 2x G1/2" x G1/2" BSP Flexible inlet connection hoses supplied (hot & cold)

**Packaging:** 46.5 x 39.5 x 26cm / carton (8 boxes)  
Dimension: 22 x 19 x 12cm / box  
Weight: 2.19Kg / box

**Guarantee:** 10 years against manufacturers faults (Excluding serviceable parts)

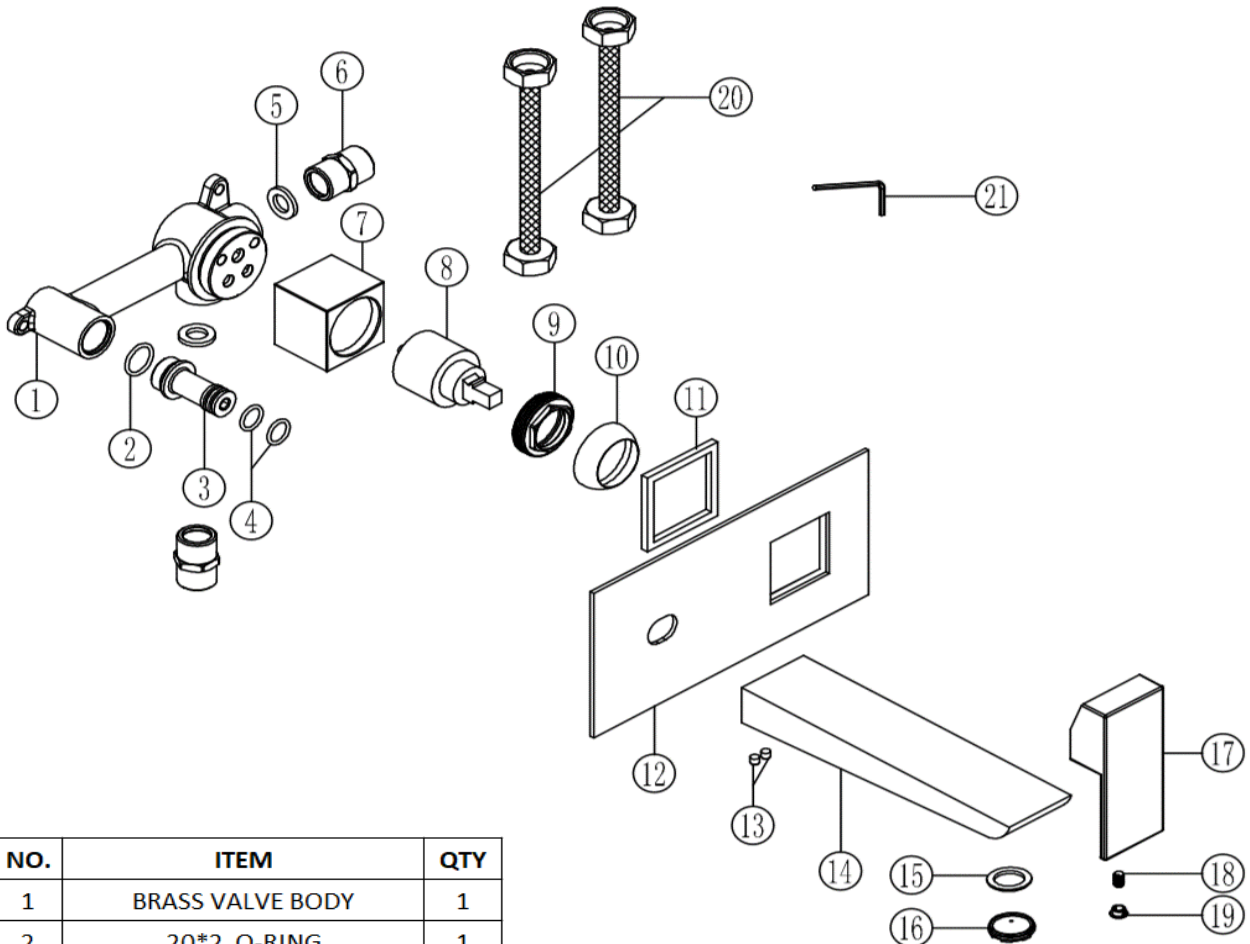
### Flow Rates (litres per minute)

System Pressure	0.1 Bar	0.2 Bar	0.3 Bar	0.5 Bar	1.0 Bar	1.5 Bar	2.0 Bar	3.0 Bar	4.0 Bar	5.0 Bar
167.BBWMBMBL	-	4.0	-	5.8	7.7	9.5	11.0	13.6	-	-

All dimensions are in millimetres unless otherwise stated. The information contained on this page was correct at date of issue. Fitting dimensions are provided as a guide only. Some variation may occur due to manufacturing tolerances. We pursue a policy of continuing improvement in design and performance of our products and so reserve the right to change specifications without prior notice.

# 167.BBWMBMBL

THE TUNBRIDGE WELLS  
Brassware Co.



NO.	ITEM	QTY
1	BRASS VALVE BODY	1
2	20*2 O-RING	1
3	SPOUT CONNECTOR	1
4	16*2 O-RING	2
5	19x11x2.5 WASHER	2
6	INLET CONNECTOR	2
7	CARTRIDGE COVER	1
8	35mm CARTRIDGE	1
9	BRASS CARTRIDGE NUT	1
10	HANDLE COLLAR	1
11	51x42x4 WASHER	1
12	SS FACE PLATE	1
13	5*4 GRUB SCREW	2
14	BRASS SPOUT	1
15	23x16x3 AERATOR WASHER	1
16	M24*1 AERATOR	1
17	HANDLE	1
18	5*8 GRUB SCREW	1
19	CHROME COVER CAP	1
20	G1/2" 150mm FLEXI-TAILS	2
21	2.5 ALLEN KEY	1