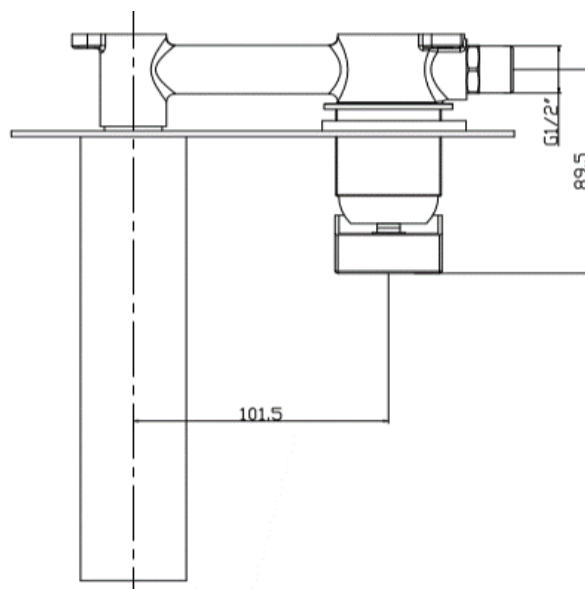
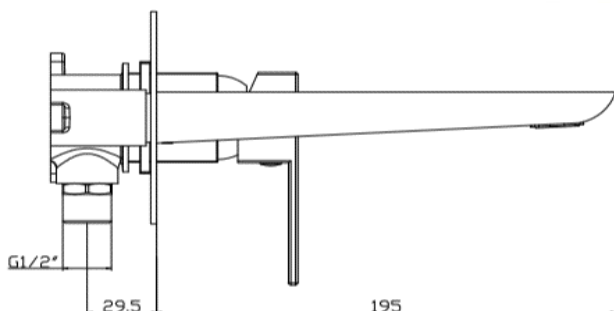
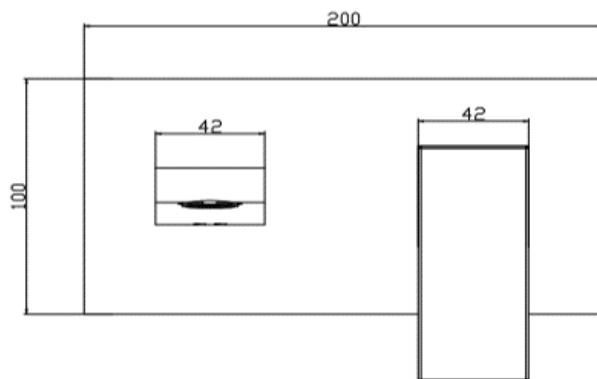


Bedgebury Wall Mounted Basin Mono Mixer



Product Code: Chrome 167.BBWMBM

Construction: Brass Body (CuZn40Pb2), EN CW617N (equivalent to BS CZ122) Zinc-alloy handle, stainless steel face plate

Water

Pressure: Min. 0.2 bar, Max. 6.0 bar

Plumbing Systems: Suitable for all plumbing systems, Hot and Cold water pressure preferably balanced. Max. supply pressure differential requirement no greater than 5:1

Standards: Complies with BS5412, BS EN200

Cartridge: 35mm Wanhai® ceramic disc

Aerator: M24*1 Spout aerator

Fitting: 2x G1/2" x G1/2" BSP Flexible inlet connection hoses supplied (hot & cold)

Packaging: 46.5 x 39.5 x 26cm / carton (8 boxes)
Dimension: 22 x 19 x 12cm / box
Weight: 2.19Kg / box

Guarantee: 10 years against manufacturers faults (Excluding serviceable parts)

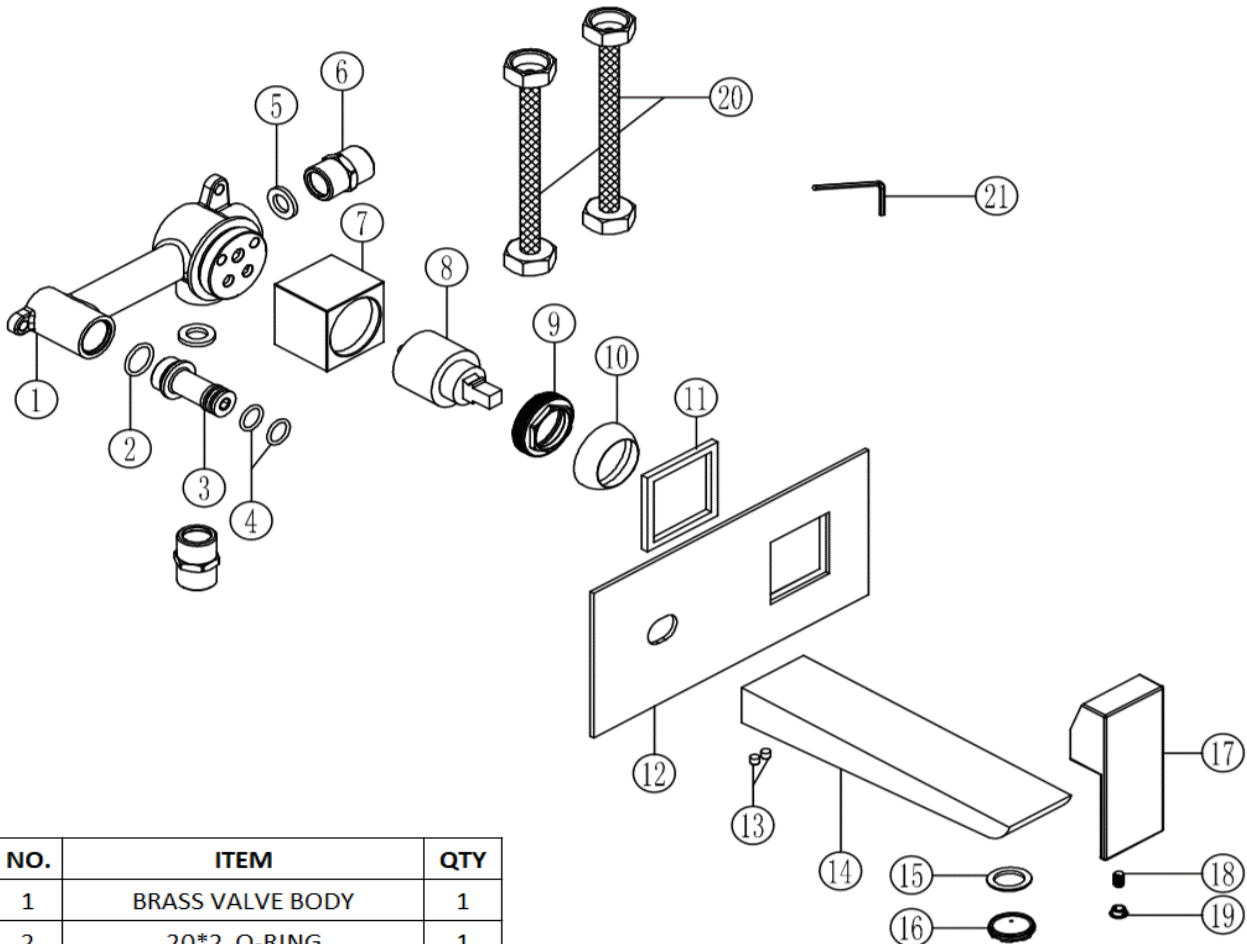
Flow Rates (litres per minute)

System Pressure	0.1 Bar	0.2 Bar	0.3 Bar	0.5 Bar	1.0 Bar	1.5 Bar	2.0 Bar	3.0 Bar	4.0 Bar	5.0 Bar
167.BBWMBM	-	4.0	-	5.8	7.7	9.5	11.0	13.6	-	-

All dimensions are in millimetres unless otherwise stated. The information contained on this page was correct at date of issue. Fitting dimensions are provided as a guide only. Some variation may occur due to manufacturing tolerances. We pursue a policy of continuing improvement in design and performance of our products and so reserve the right to change specifications without prior notice.

167.BBWMBM

THE TUNBRIDGE WELLS
Brassware Co.



NO.	ITEM	QTY
1	BRASS VALVE BODY	1
2	20*2 O-RING	1
3	SPOUT CONNECTOR	1
4	16*2 O-RING	2
5	19x11x2.5 WASHER	2
6	INLET CONNECTOR	2
7	CARTRIDGE COVER	1
8	35mm CARTRIDGE	1
9	BRASS CARTRIDGE NUT	1
10	HANDLE COLLAR	1
11	51x42x4 WASHER	1
12	SS FACE PLATE	1
13	5*4 GRUB SCREW	2
14	BRASS SPOUT	1
15	23x16x3 AERATOR WASHER	1
16	M24*1 AERATOR	1
17	HANDLE	1
18	5*8 GRUB SCREW	1
19	CHROME COVER CAP	1
20	G1/2" 150mm FLEXI-TAILS	2
21	2.5 ALLEN KEY	1