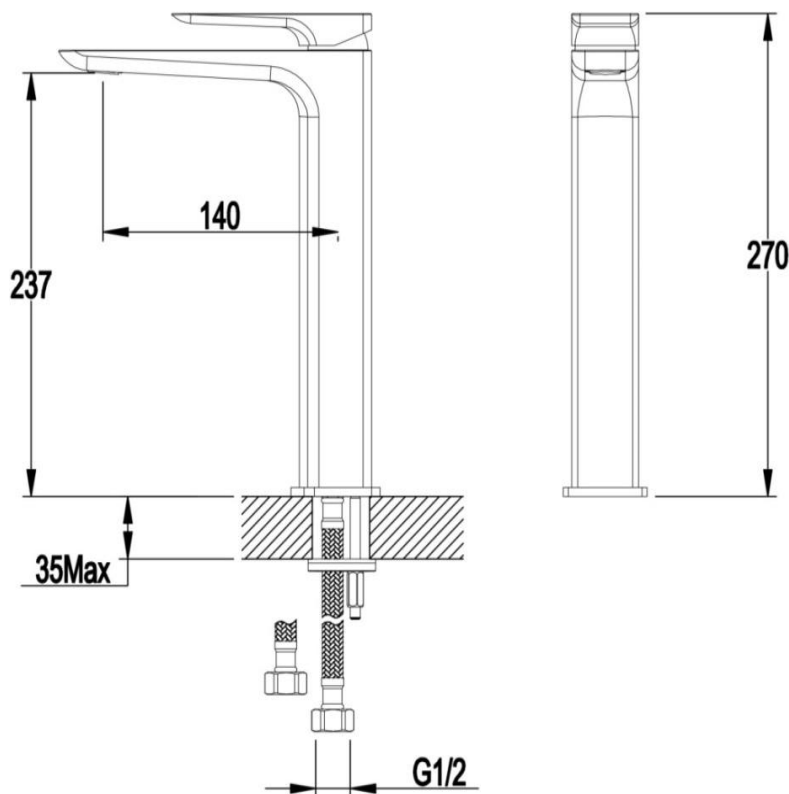


Bedgebury Tall Basin Mono Mixer - Chrome



Product Code: 167.BBTBM

Construction: Brass Body (CuZn40Pb2), EN CW617N (equivalent to BS CZ122) Zinc-alloy handle

Finish: Chrome (Ni : 8-12µm, Cr : 0.25-0.3µm)

Water Pressure: Min. 0.2 bar, Max. 6.0 bar

Plumbing Systems: Suitable for all plumbing systems, Hot and Cold water pressure preferably balanced. Max. supply pressure differential requirement no greater than 5:1

Standards: Complies with BS6920, BS EN200

Cartridge: 35mm Ceramic disc cartridge

Aerator: Neoperl Adjustable Slim Aerator

Fitting: M10 x 350mm G½" BSP Female Flexi Tails

Packaging: 43 x 38.5 x 34cm/carton (8 boxes), Dimension: 37.5 x 20.5 x 8cm/box; Weight: 1.56Kg / box

Guarantee: 10 years against manufacturing faults (Excluding serviceable parts)

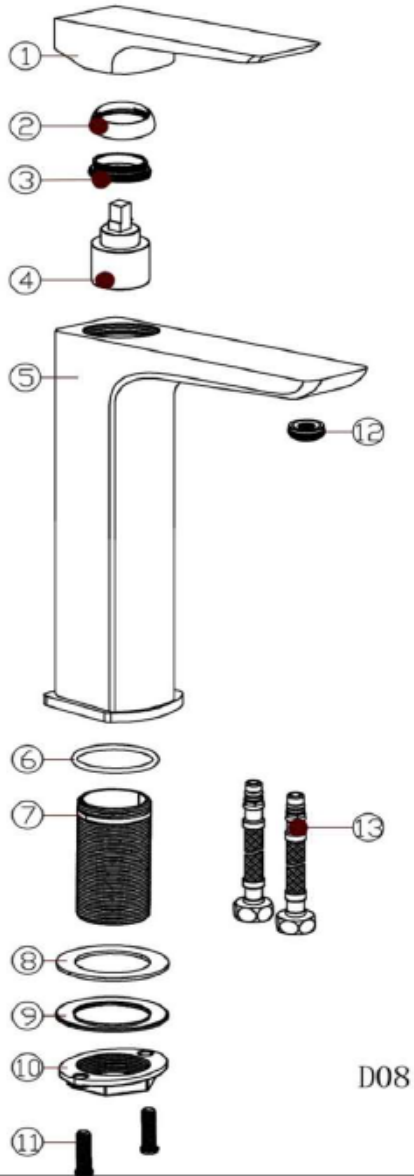
Flow Rates (litres per minute)

System Pressure	0.1 Bar	0.2 Bar	0.3 Bar	0.5 Bar	1.0 Bar	1.5 Bar	2.0 Bar	3.0 Bar	4.0 Bar	5.0 Bar
167.BBTBM	2.6	3.4	-	5.7	6.3	9.0	-	-	-	-

All dimensions are in millimetres unless otherwise stated. The information contained on this page was correct at date of issue. Fitting dimensions are provided as a guide only. Some variation may occur due to manufacturing tolerances. We pursue a policy of continuing improvement in design and performance of our products and so reserve the right to change specifications without prior notice.

167.BBTBM

THE TUNBRIDGE WELLS
Brassware Co.



13	D08-13	HOSE	2
12	D08-12	AERATOR	1
11	D08-11	SCREW	2
10	D08-10	NUT	1
9	D08-09	O RING	1
8	D08-08	O RING	1
7	D08-07	TAIL	1
6	D08-06	O RING	1
5	D08-05	BODY	1
4	D08-04	CARTRIDGE	1
3	D08-03	Cartridge nut	1
2	D08-02	SHROUD	1
1	D08-01	HANDLE	1
NO	CODE	NAME	QTY