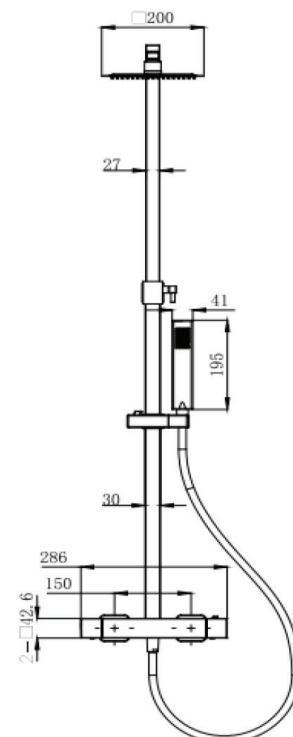
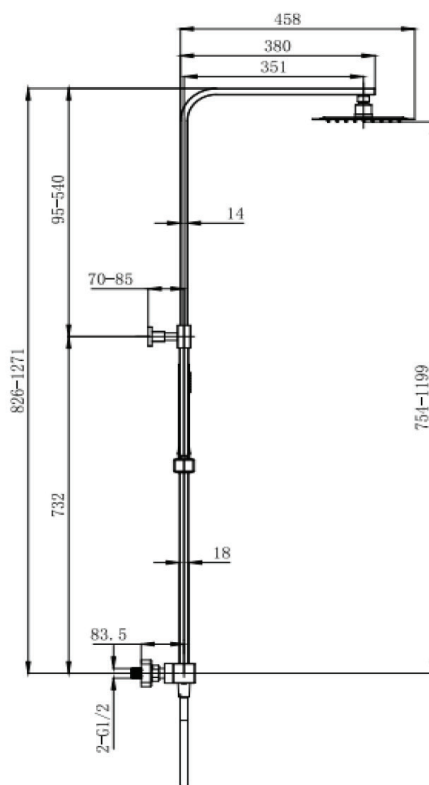
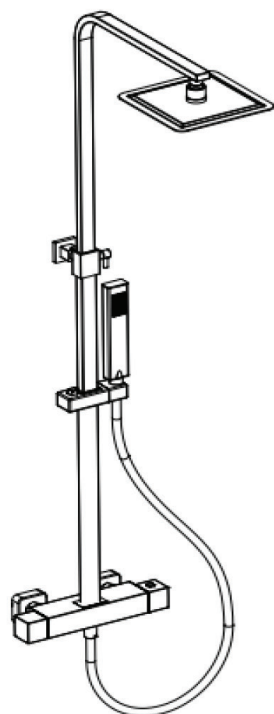


Bedgebury Square Thermostatic Shower Mixer (Brushed Brass)



Product Code: 167.BBSTSBB

Construction: Valve: High Performance Polyamide (PPA) Body & SS201 Stainless steel Casing & Rail; Stainless steel Base plates; Brass Handset

Finishes: Brushed Brass

Water Pressure: Min. 0.5 bar Max. 6.0 bar

Plumbing Systems: Suitable for all plumbing systems, Hot and Cold water pressure preferably balanced Max. supply pressure differential requirement no greater than 5:1

Standards: Complies with BSEN 1111

Cartridge: Thermostatic cartridge and Integrated Ceramic disc valve diverter

Fitting: S-Union connectors (Male thread offset 1/2 inch x 3/4" BSP with Escutcheon); Brass G 1/2" BSP Male bottom outlet & G3/4" BSP Male upper outlet connection

Packaging: 93 x 43.5 x 36cm / carton (4 boxes), Dimension: 91 x 42 x 8.5cm / box

Guarantee: 10 years against manufacturing faults (Excluding serviceable parts)

Additional Information:

1. Temperature: Pre-set 38°C, with push button override to 48°C
2. Automatic shut off in the event of hot or cold water supply failure
3. COOL TOUCH Bar Valve technology
4. Ultra Slim Shower head : Brushed Brass, 200mm,
5. Shower handset : Brushed Brass, ABS, Single mode
6. Handset holder : Brushed Brass, ABS , adjustable height
7. Shower hose : Brushed Brass, PVC , 1.5m
8. Adjustable height riser rail: Brushed Brass, Stainless Steel

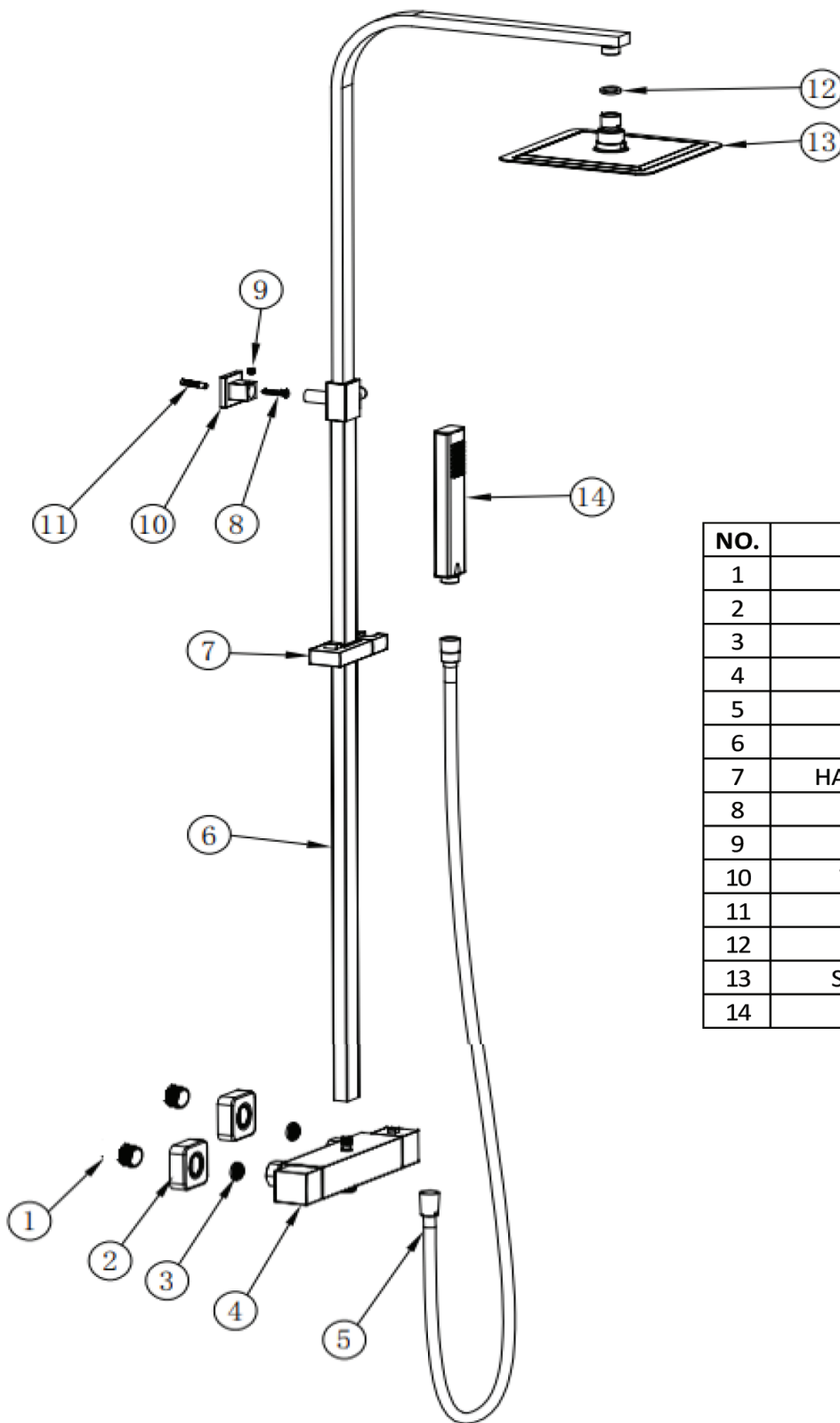
Flow Rates (litres per minute)

System Pressure	0.1 Bar	0.2 Bar	0.3 Bar	0.5 Bar	1.0 Bar	1.5 Bar	2.0 Bar	3.0 Bar	4.0 Bar	5.0 Bar
167. BBSTSBB Handset	3.4	-	-	8.1	11.7	-	16.9	20.7	24.1	26.8
167. BBSTSBB Showerhead	2.9	-	-	7.4	10.6	-	15.4	18.9	21.9	24.5

All dimensions are in millimetres unless otherwise stated. The information contained on this page was correct at date of issue. Fitting dimensions are provided as a guide only. Some variation may occur due to manufacturing tolerances. We pursue a policy of continuing improvement in design and performance of our products and so reserve the right to change specifications without prior notice.

167.BBSTSBB

THE TUNBRIDGE WELLS
Brassware Co.



NO.	NAME	QTY.
1	Easy Fit	2
2	BASE PLATE	2
3	LOCK NUT	2
4	BODY	1
5	HOSE	1
6	RAIL	1
7	HANDSET HOLDER	1
8	SCREW	1
9	SCREW	1
10	WALL BUCKET	1
11	SCREW	1
12	O-RING	1
13	SHOWER HEAD	1
14	HANDSET	1