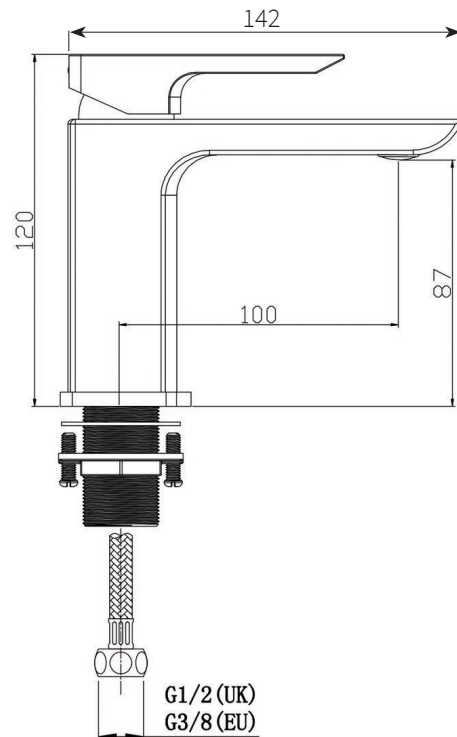
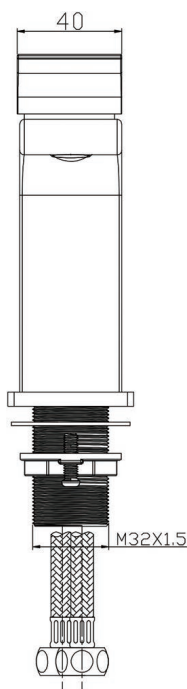


Bedgebury Mini Mono Basin Mixer (Inc. Waste)



Product Code: Chrome 167.BBMBM
Matt Black 167.BBMBMBL
Brushed Brass 167.BBMBMBB

Construction: Brass Body (CuZn40Pb2),
EN CW617N (equivalent to BS CZ122)
Zinc-alloy handle

Water Pressure: Min. 0.2 bar, Max. 6.0 bar

Plumbing Systems: Suitable for all plumbing systems,
Hot and Cold water pressure preferably balanced
Max. supply pressure differential requirement no greater than 5:1

Standards: Complies with BS6920, BS EN200

Cartridge: 35mm Triduo[®] ceramic disc cartridge

Certification: Manufactured to comply with WRAS and ACS

Aerator: Neoperl adjustable slim aerator

Fitting: UK: M10 x 350mm G1/2"
BSP female flexi tails
EU: M10 x 350mm G3/8"
BSP female flexi tails

Packaging: 46 x 38 x 34cm / carton (8 boxes)
Dimension: 27 x 22 x 8cm / box
Weight: 1.81Kg / box

Guarantee: 10 Years against manufacturers faults
(Excluding serviceable parts)

Additional Information: Supplied with G1 1/4"
Slotted Click Clack Waste

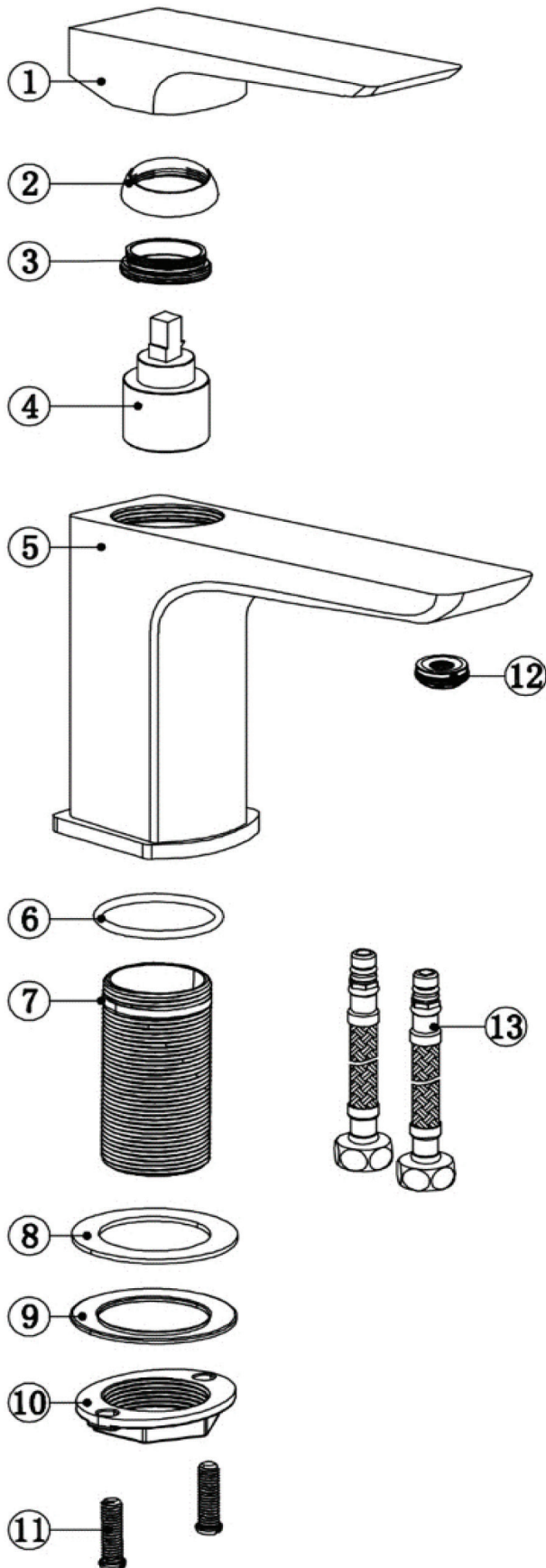
Flow Rates (litres per minute)

System Pressure	0.1 Bar	0.2 Bar	0.3 Bar	0.5 Bar	1.0 Bar	1.5 Bar	2.0 Bar	3.0 Bar	4.0 Bar	5.0 Bar
167.BBMBM/BL/BB	3.0	4.1	4.9	6.1	8.5	10.3	11.9	14.5	16.7	18.7

All dimensions are in millimetres unless otherwise stated. The information contained on this page was correct at date of issue. Fitting dimensions are provided as a guide only. Some variation may occur due to manufacturing tolerances. We pursue a policy of continuing improvement in design and performance of our products and so reserve the right to change specifications without prior notice.

167.BBMBM/BL/BB

THE TUNBRIDGE WELLS
Brassware Co.



NO.	ITEM	QTY
1	Handle	1
2	Shroud	1
3	Cartridge Nut	1
4	35mm Cartridge	1
5	Tap Body	1
6	O-ring	2
7	Threaded Fixing Tube	1
8	Washer	1
9	Stainless steel plate	1
10	Locking Nut	1
11	Locking Screw	2
12	Aerator	1
13	Flexi tails	2