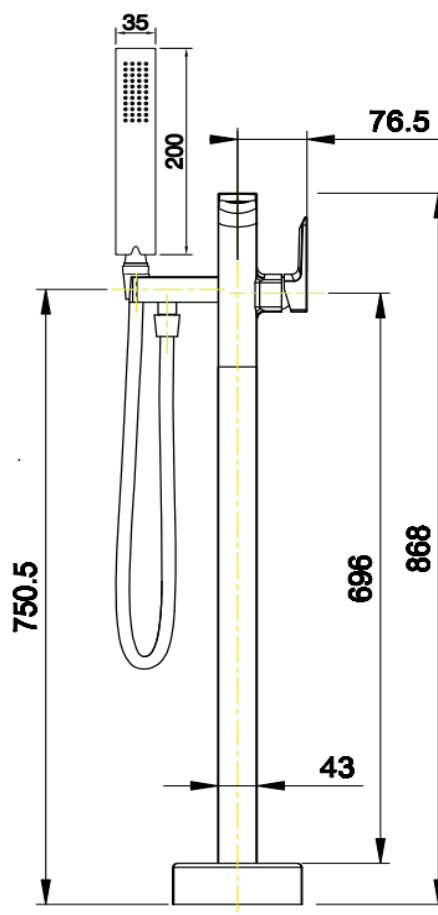


## Bedgebury Freestanding Bath Shower Mixer (Brushed Brass)



- Product Code:** 167.BBFBSMBB
- Construction:** Brass Body (CuZn40Pb2), EN CW617N (equivalent to BS CZ122) Zinc-alloy Handle
- Finishes:** Brushed Brass
- Water Pressure:** Min. 0.5 bar (handset)  
2.0 bar (spout), Max. 6.0 bar
- Plumbing Systems:** Suitable for all plumbing systems, Hot and Cold water pressure preferably balanced  
Max. supply pressure differential requirement no greater than 5:1
- Standards:** Complies with BS5412, BS EN200

- Cartridge:** 35mm Ceramic disc cartridge
- Diverter:** Integrated pull and lock diverter at shower hose inlet
- Aerator:** Neoperl spout aerator
- Fitting:** M10 x 1\*G 3/4" BSP Female Flexible inlet connection hoses, 750mm
- Packaging:** 94 x 34.5 x 52cm/carton (2 boxes),  
Dimension: 92.5 x 33 x 25cm;  
Weight: 8.25Kg/box
- Guarantee:** 10 years against manufacturing faults  
(Excluding serviceable parts)

**Additional Information:**  
Supplied with Brushed brass smooth PVC 1.5m shower hose and 3 modes ABS handset

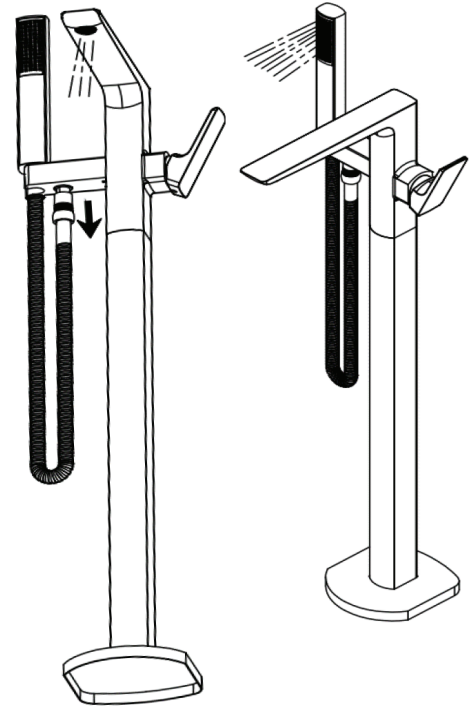
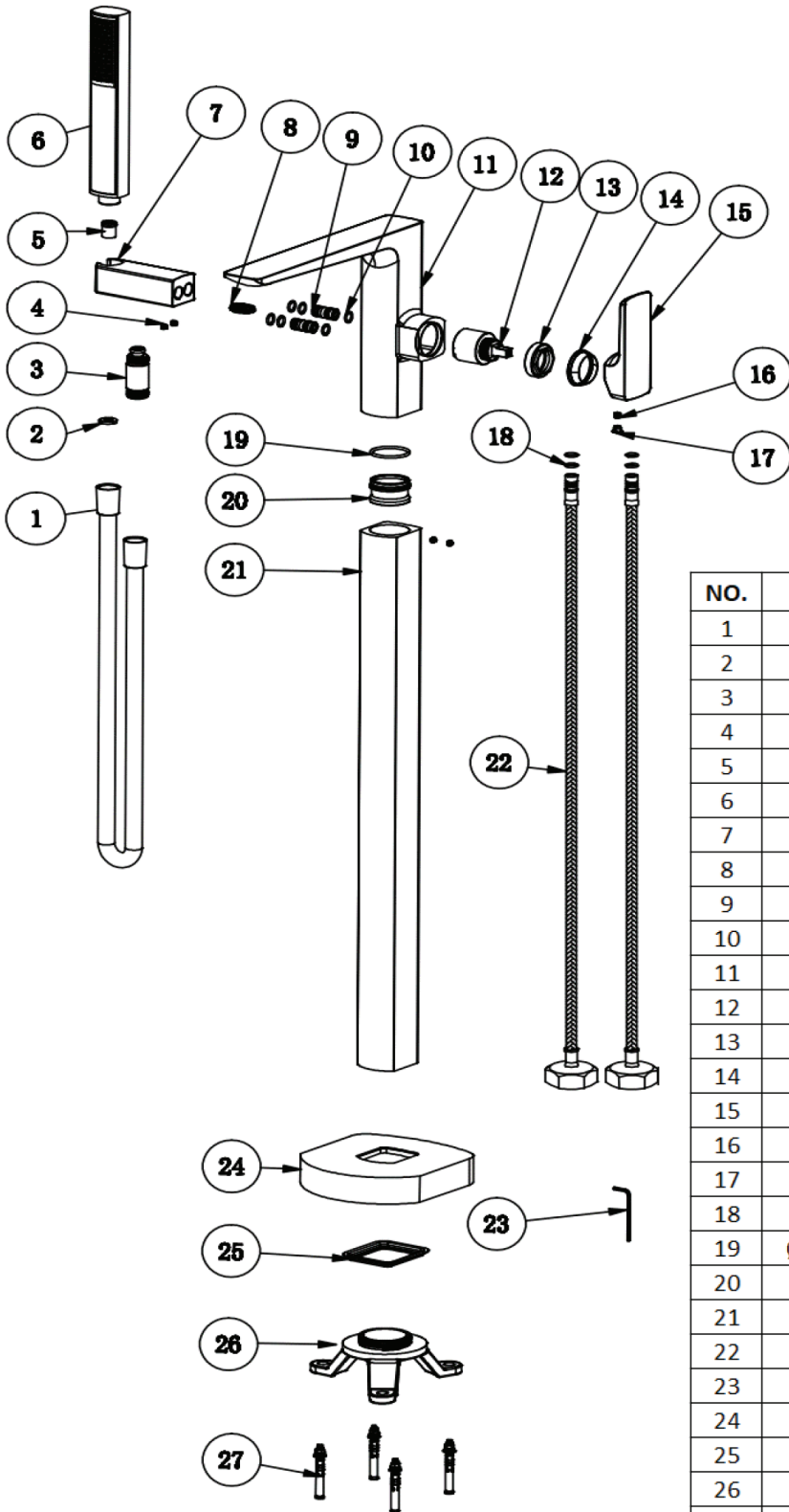
**Flow Rates** (litres per minute)

System Pressure	0.1 Bar	0.2 Bar	0.3 Bar	0.5 Bar	1.0 Bar	1.5 Bar	2.0 Bar	3.0 Bar	4.0 Bar	5.0 Bar
167. BBFBSMBB	2.8	3.7	4.5	5.7	7.9	9.6	11.1	13.6	15.7	17.5

All dimensions are in millimetres unless otherwise stated. The information contained on this page was correct at date of issue. Fitting dimensions are provided as a guide only. Some variation may occur due to manufacturing tolerances. We pursue a policy of continuing improvement in design and performance of our products and so reserve the right to change specifications without prior notice.

# 167.BBFBSMBB

THE TUNBRIDGE WELLS  
Brassware Co.



NO.	ITEM	QTY
1	G1/2" 1.5M PVC SHOWER HOSE	1
2	PLASTIC FLOW LIMITER WASHER	1
3	BRASS PULL-DOWN DIVERTER	1
4	M5*2 S/STEEL GRUB SCREW	4
5	ABS CHECK VALVE	1
6	ABS SINGLE MODE ABS HANDSET	1
7	BRASS HANDSET HOLDER	1
8	NEOPERL ABS AERATOR	1
9	BRASS HANDSET HOLDER CONNECTOR	2
10	Ø10*2 NBR O-RING	6
11	BRASS TAP BODY & SPOUT	1
12	35MM CERAMIC DISC CARTRIDGE	1
13	BRASS CARTRODGE LOCK NUT	1
14	PLASTIC HANDLE COLLAR	1
15	ZINC-ALLOY HANDLE	1
16	M5*6 S/STEEL HANDLE GRUB SCREW	1
17	ABS BLUE/RED COVER CAP	1
18	Ø12*2 NBR O-RING	4
19	Ø28*25 NBR TAP CONNECTOR O-RING	1
20	BRASS TAP CONNECTOR	1
21	BRASS STAND PIPE	1
22	M10x1*G3/4*750MM FLEXITAIL	2
23	S/STEEL ALLEN KEY	1
24	BRASS BASE PLATE	1
25	RUBBER BASE PLATE WASHER	1
26	BRASS 3-LEG FLOOR ANCHOR	1
27	S/STEEL ANCHOR BOLT	4