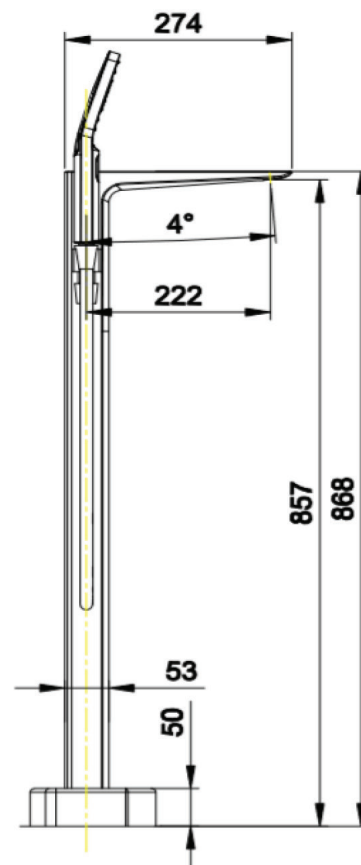
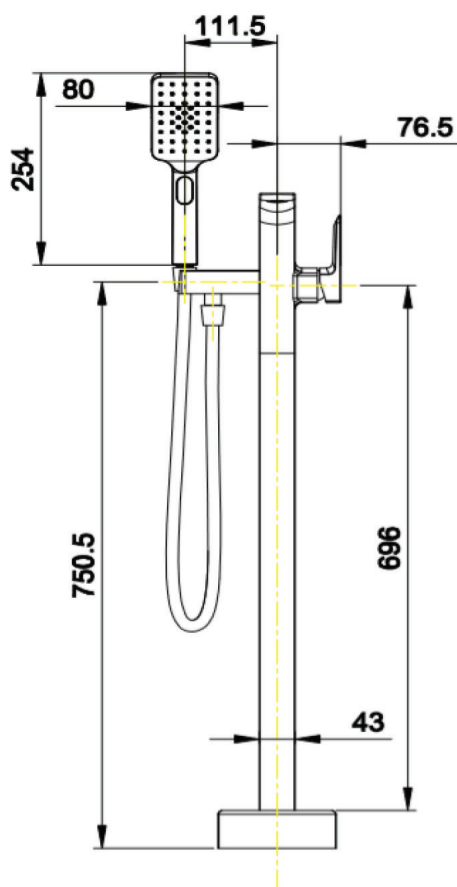


Bedgebury Freestanding Bath Shower Mixer (Chrome)



Product Code: 167.BBFBSM

Construction: Brass Body (CuZn40Pb2), EN CW617N (equivalent to BS CZ122) Zinc-alloy Handle

Finishes: Chrome

Water Pressure: Min. 0.5 bar (handset)
2.0 bar (spout), Max. 6.0 bar

Plumbing Systems: Suitable for all plumbing systems, Hot and Cold water pressure preferably balanced
Max. supply pressure differential requirement no greater than 5:1

Standards: Complies with BS5412, BS EN200

Cartridge: 35mm Ceramic disc cartridge

Diverter: Integrated pull and lock diverter at shower hose inlet

Aerator: Neoperl spout aerator

Fitting: M10 x 1*G 3/4" BSP Female Flexible inlet connection hoses, 750mm

Packaging: 94 x 34.5 x 52cm/carton (2 boxes),
Dimension: 92.5 x 33 x 25cm;
Weight: 8.25Kg/box

Guarantee: 10 years against manufacturing faults
(Excluding serviceable parts)

Additional Information: Supplied with smooth PVC 1.5m shower hose and 3 modes ABS handset

Flow Rates (litres per minute)

System Pressure	0.1 Bar	0.2 Bar	0.3 Bar	0.5 Bar	1.0 Bar	1.5 Bar	2.0 Bar	3.0 Bar	4.0 Bar	5.0 Bar
167. BBFBSM	2.8	3.7	4.5	5.7	7.9	9.6	11.1	13.6	15.7	17.5

All dimensions are in millimetres unless otherwise stated. The information contained on this page was correct at date of issue. Fitting dimensions are provided as a guide only. Some variation may occur due to manufacturing tolerances. We pursue a policy of continuing improvement in design and performance of our products and so reserve the right to change specifications without prior notice.