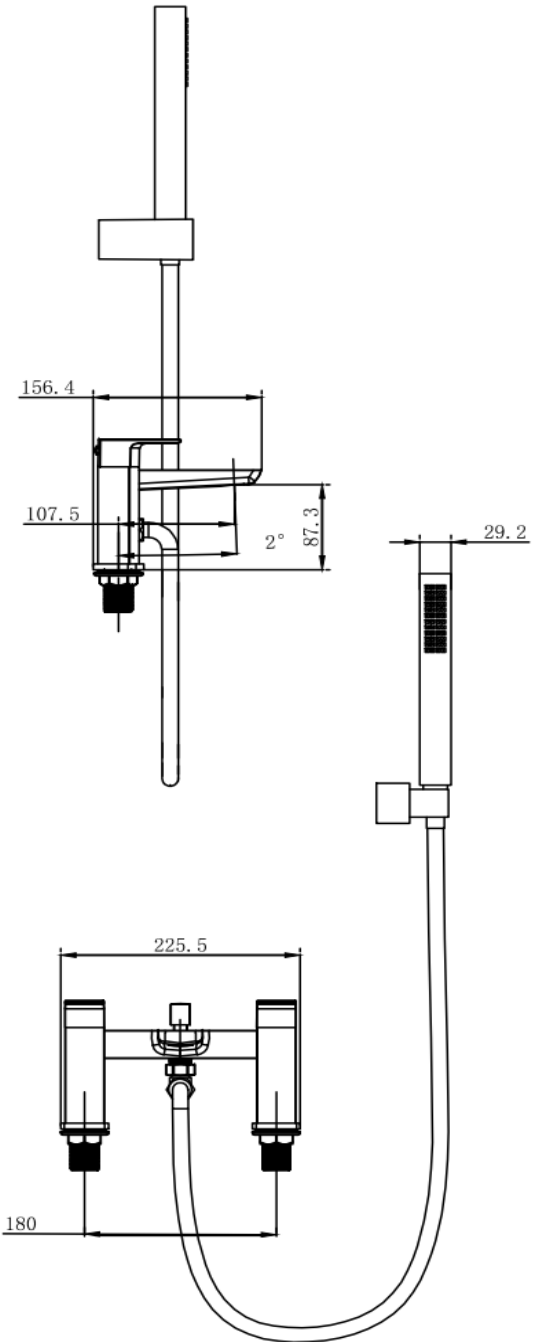


Bedgebury Deck Mounted Bath Shower Mixer Inc. Shower Kit (Excl. Waste)



Product Code: Gunmetal 167.BBDMBSMGM

Construction: Brass Body, Zinc-alloy handles

Water Pressure: Min. 0.5 bar, Max. 6.0 bar

Plumbing Systems: Suitable for all plumbing systems, hot and cold water pressure preferably balanced
Max. supply pressure differential requirement no greater than 5:1

Standards: Complies with BS5412, BS EN200

Certification: WRAS (1805053) approved

Cartridge: ¼ turn ¾" ceramic disc valves

Aerator: Laminar stream straightener

Fitting: Brass G¾" BSP tails

Packaging: 42 x 26.5 x 35cm / carton (4 boxes). Weight: 3.38Kg / box

Guarantee: 10 years against manufacturers faults (Excl. serviceable parts)

Additional Information:

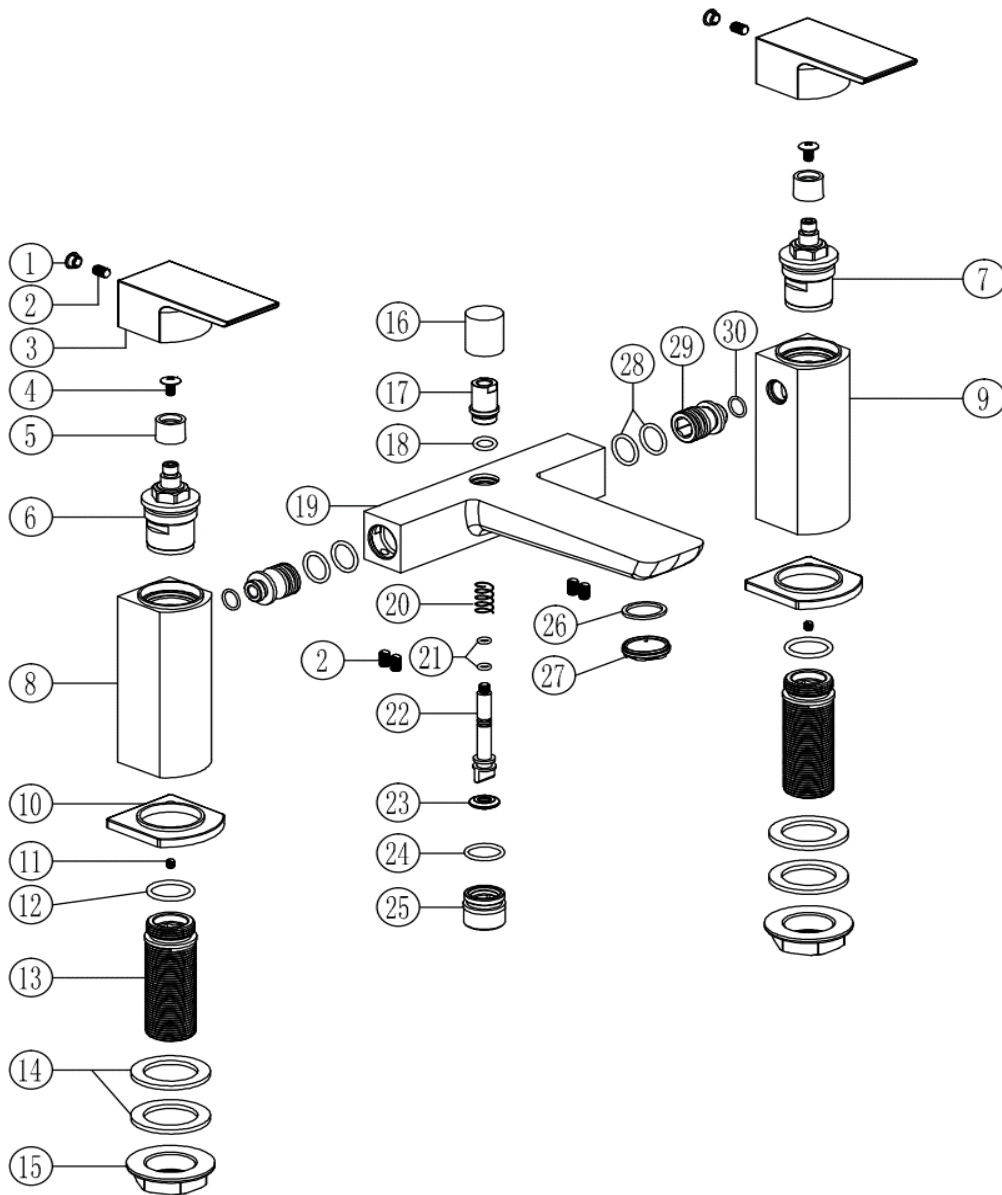
Supplied with 1.5m smooth PVC hose, outlet hose elbow, single mode ABS handset & wall mounted ABS holder

Flow Rates (litres per minute)

System Pressure	0.1 Bar	0.2 Bar	0.3 Bar	0.5 Bar	1.0 Bar	1.5 Bar	2.0 Bar	3.0 Bar	4.0 Bar	5.0 Bar
167.BBDMBSMGM	6.84	9.07	10.77	13.82	20.28	25.62	29.67	38.36	48.48	58.64

167.BBDMBSMGM

THE TUNBRIDGE WELLS
Brassware Co.



No.	DESCRIPTION	QTY	No.	DESCRIPTION	QTY
1	Dia. 6.8 COVER CAP	2	16	DIVERTER CAP	1
2	M5*8 GRUB SCREW	2	17	DIVERTER CONNECTOR	1
3	HANDLE	2	18	12*2 O-RING	1
4	4*9 SCREW	2	19	SPOUT BODY	1
5	PLASTIC INSERT	2	20	SPRING	1
6	3/4" HOT CARTRIDGE	1	21	7*1.6 O-RING	2
7	3/4" COLD CARTRIDGE	1	22	DIVERTER ROD	1
8	HOT PILLAR	1	23	DIVERTER DISC	1
9	COLD PILLAR	1	24	20*2 O-RING	1
10	BASE PLATE	2	25	OUTLET CONNECTOR	1
11	M4*8 GRUB SCREW	2	26	21.8*17.8 AERATOR WASHER	1
12	31*2 O-RING	2	27	M24*1 AERATOR	1
13	G3/4" BSP TAIL	2	28	18*2 O-RING	4
14	3/4" WASHERS	2	29	CONNECTOR	2
15	3/4" PLASTIC LOCK NUT	2	30	12*2 O-RING	2