

DATA SHEET

THE TUNBRIDGE WELLS
Brassware Co.

Bedgebury Deck Mounted Bath Shower Mixer Inc. Shower Kit (Excl. Waste)



Product Code: Chrome 167.BBDMBSM
Matt Black 167.BBDMBSMBL
Brushed Brass 167.BBDMBSMBB

Construction: Brass Body (CuZn40Pb2),
EN CW617N (equivalent to BS CZ122)
Zinc-alloy handles; Brass base plates

Water Pressure: Min. 0.5 bar, Max. 6.0 bar

Plumbing Systems: Suitable for all plumbing systems, hot and cold water pressure preferably balanced Max. supply pressure differential requirement no greater than 5:1

Standards: Complies with BS5412, BS EN200

Certification: WRAS (1805053) approved

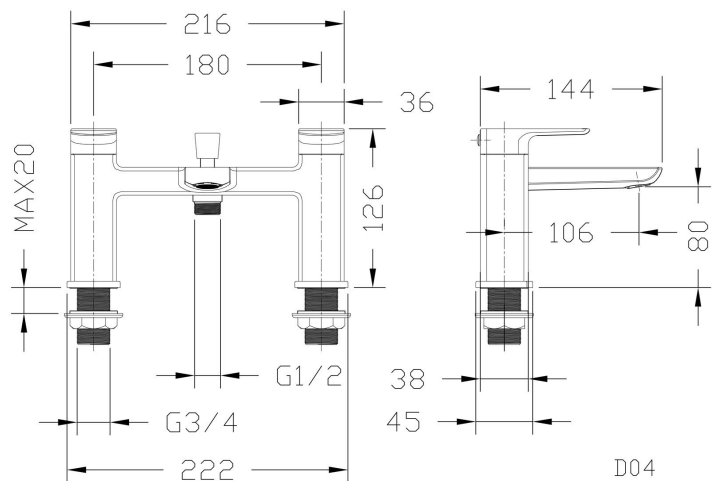
Cartridge: ¼ turn ¾" ceramic disc valves

Aerator: Laminar stream straightener

Fitting: Brass G¾" BSP tails

Packaging: 50 x 29.5 x 38cm / carton (4 boxes)
Dimension: 28 x 24 x 18cm / box
Weight: 3.38Kg / box

Guarantee: 10 years against manufacturers faults (Excluding serviceable parts)



Additional Information:

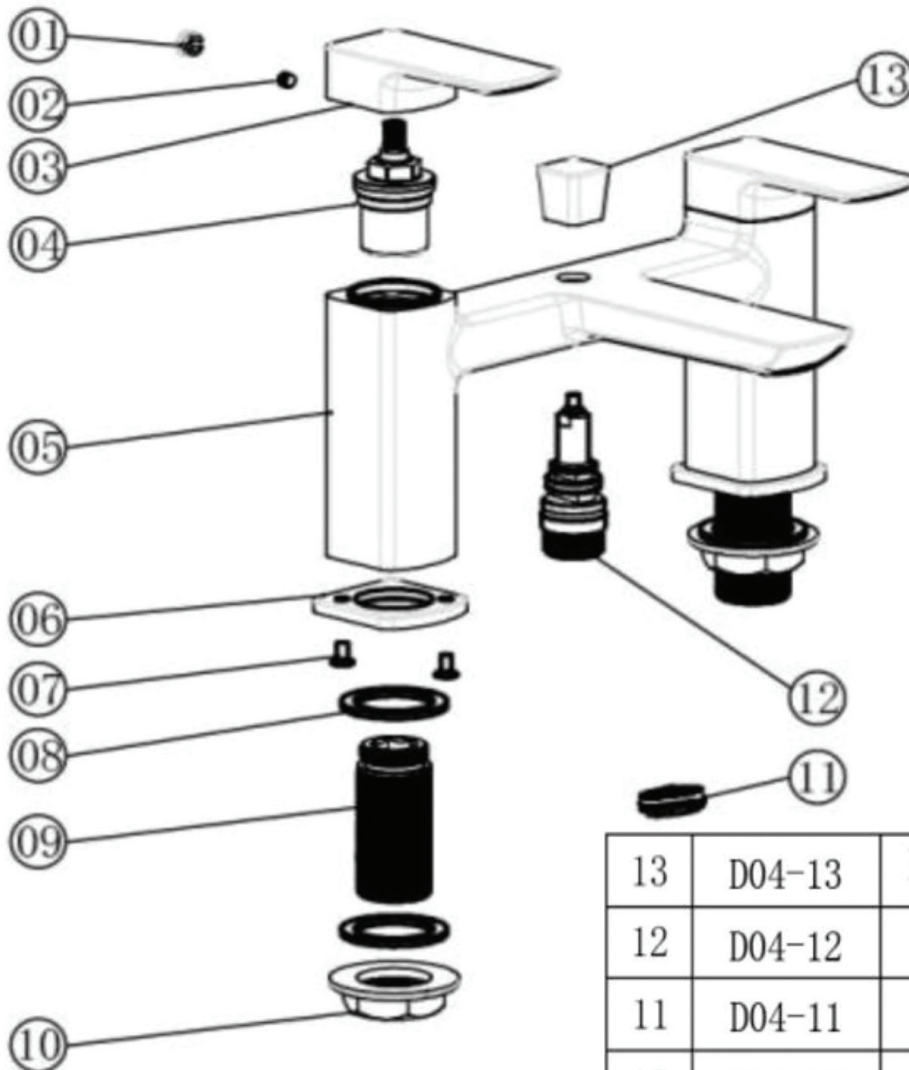
Supplied with 1.5m smooth PVC hose, outlet hose elbow, single mode ABS handset & wall mounted ABS holder

Flow Rates (litres per minute)

System Pressure	0.1 Bar	0.2 Bar	0.3 Bar	0.5 Bar	1.0 Bar	1.5 Bar	2.0 Bar	3.0 Bar	4.0 Bar	5.0 Bar
167.BBDMBSM/BL/BB	7.1	9.5	11.4	14.5	20.3	24.7	28.5	34.6	39.8	44.0

All dimensions are in millimetres unless otherwise stated. The information contained on this page was correct at date of issue. Fitting dimensions are provided as a guide only. Some variation may occur due to manufacturing tolerances. We pursue a policy of continuing improvement in design and performance of our products and so reserve the right to change specifications without prior notice.

167.BBDMBSM/BL/BB



13	D04-13	Diverter handle	1
12	D04-12	Diverter	1
11	D04-11	Aerator	1
10	D04-10	Nut	1
9	D04-09	Tail	1
8	D04-08	O ring	4
7	D04-07	Screw	4
6	D04-06	Base plate	1
5	D04-05	Body	1
4	D04-04	Cartridge	2
3	D04-03	Handle	2
2	D04-02	Screw	2
1	D04-01	Indice	2
No	Code	Name	Qty