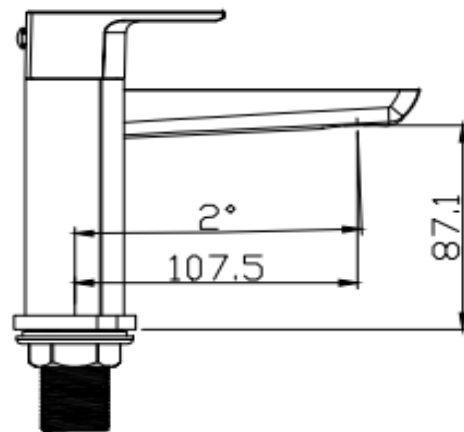


# DATA SHEET

THE TUNBRIDGE WELLS  
Brassware Co.

## Bedgebury Deck Mounted Bath Filler (Excl. Waste)



**Product Code:** Gunmetal 167.BBDMBFGM

**Construction:** Brass Body, Zinc-alloy handles

**Water Pressure:** Min. 0.5 bar, Max. 6.0 bar

**Plumbing Systems:** Suitable for all plumbing systems, hot and cold water pressure preferably balanced  
Max. supply pressure differential requirement no greater than 5:1

**Standards:** Complies with BS5412, BS EN200

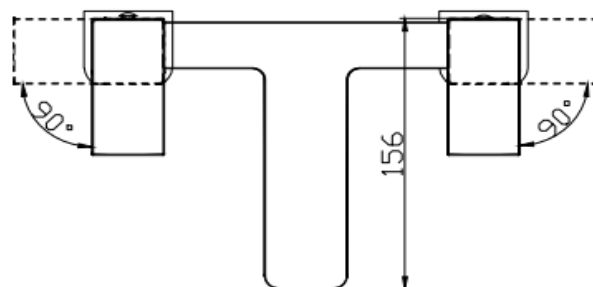
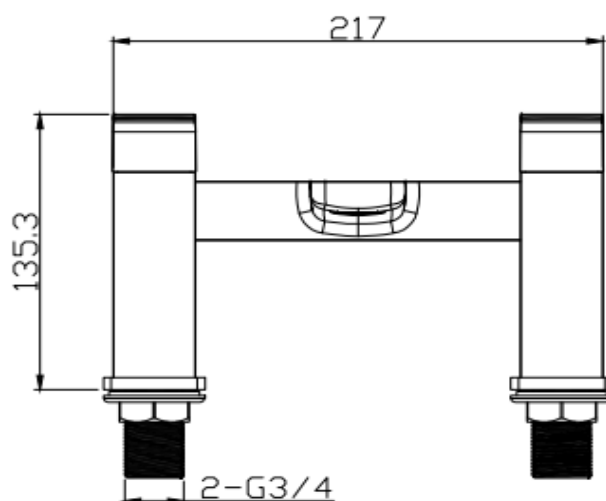
**Cartridge:** ¼ turn G3/4" ceramic disc valves

**Aerator:** Neoperl spout aerator

**Fitting:** Brass G¾" BSP tails

**Packaging:** 42 x 26.5 x 35cm / carton (4 boxes). Weight: 2.6Kg / box

**Guarantee:** 10 years against manufacturers faults (Excl. serviceable parts)



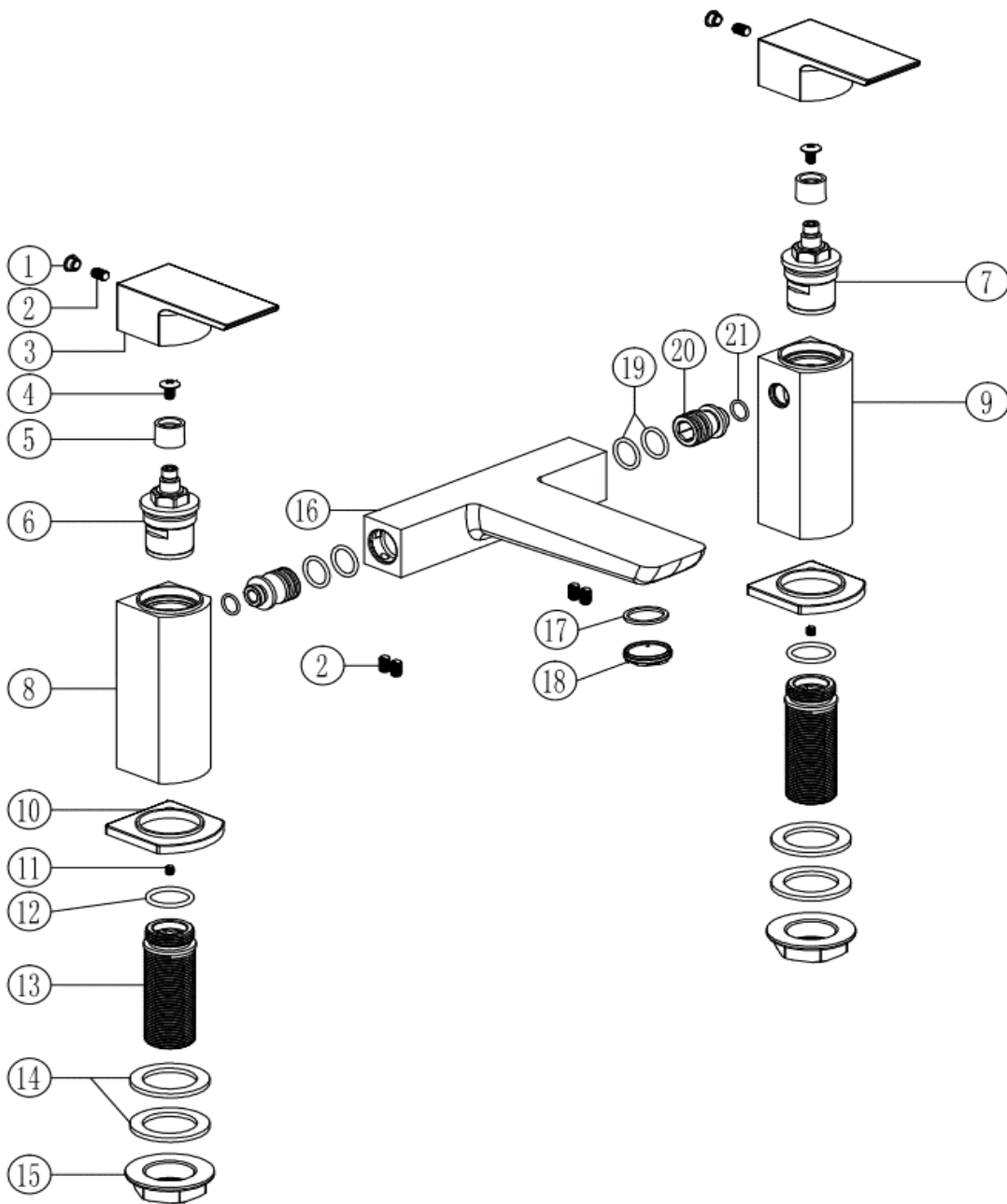
### Flow Rates (Litres per minute)

System Pressure	0.1 Bar	0.2 Bar	0.3 Bar	0.5 Bar	1.0 Bar	1.5 Bar	2.0 Bar	3.0 Bar	4.0 Bar	5.0 Bar
167.BBDMBFGM	6.84	9.07	10.77	13.82	20.28	25.62	29.67	38.36	48.48	58.64

All dimensions are in millimetres unless otherwise stated. The information contained on this page was correct at date of issue. Fitting dimensions are provided as a guide only. Some variation may occur due to manufacturing tolerances. We pursue a policy of continuing improvement in design and performance of our products and so reserve the right to change specifications without prior notice.

# 167.BBDMBFGM

THE TUNBRIDGE WELLS  
Brassware Co.



No.	DESCRIPTION	QTY	No.	DESCRIPTION	QTY
1	Dia. 6.8 COVER CAP	2	12	31*2 O-RING	2
2	M5*8 GRUB SCREW	2	13	G3/4" BSP TAIL	2
3	HANDLE	2	14	3/4" WASHERS	2
4	4*9 SCREW	2	15	3/4" PLASTIC LOCK NUT	2
5	INSERT	2	16	SPOUT BODY	1
6	3/4" HOT CARTRIDGE	1	17	AERATOR WASHER	1
7	3/4" COLD CARTRIDGE	1	18	M24*1 AERATOR	1
8	HOT PILLAR	1	19	18*2 O-RING	4
9	COLD PILLAR	1	20	CONNECTOR	2
10	BASE PLATE	2	21	12*2 O-RING	2
11	M4*8 GRUB SCREW	2			