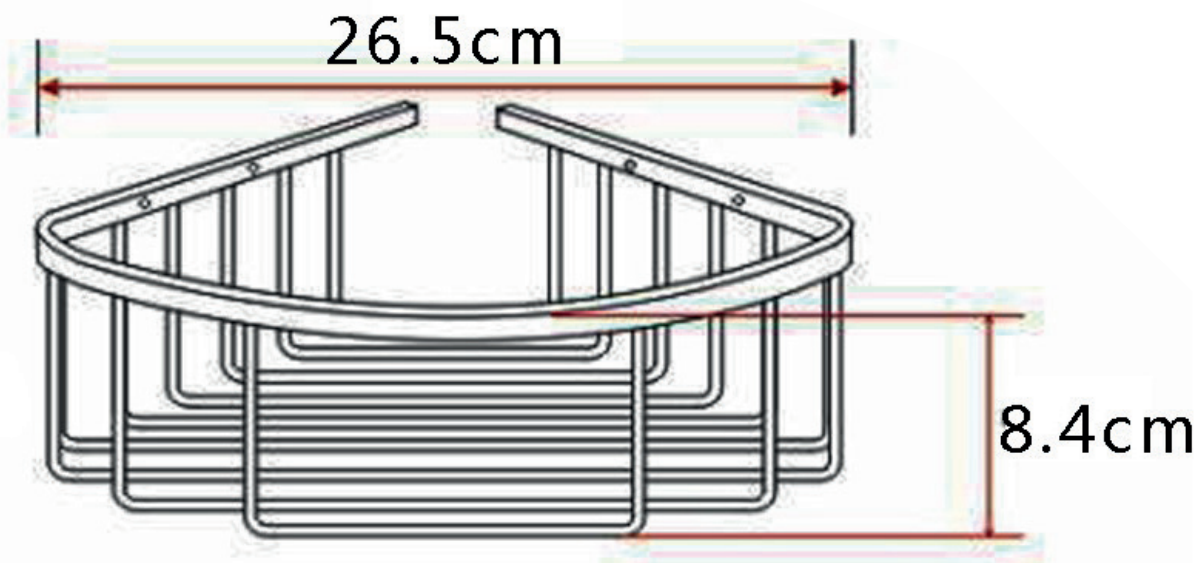


DATA SHEET

THE TUNBRIDGE WELLS
Brassware Co.

Bedgebury Deep Corner Basket (Matt Brushed Brass)



Product

Code: 167.BBDCBMBB

Finishes: Matt Brushed Brass

Standards: Complies with BS5412, BS EN200

Packaging: 47.5 x 47.5 x 47cm/carton (20 boxes),
Dimension: 24.5 x 22.5 x 6.5cm/box;
Weight: 0.615Kg / box

Guarantee: 1 year against
manufacturing faults
(Excluding serviceable parts)

All dimensions are in millimetres unless otherwise stated. The information contained on this page was correct at date of issue. Fitting dimensions are provided as a guide only. Some variation may occur due to manufacturing tolerances. We pursue a policy of continuing improvement in design and performance of our products and so reserve the right to change specifications without prior notice.