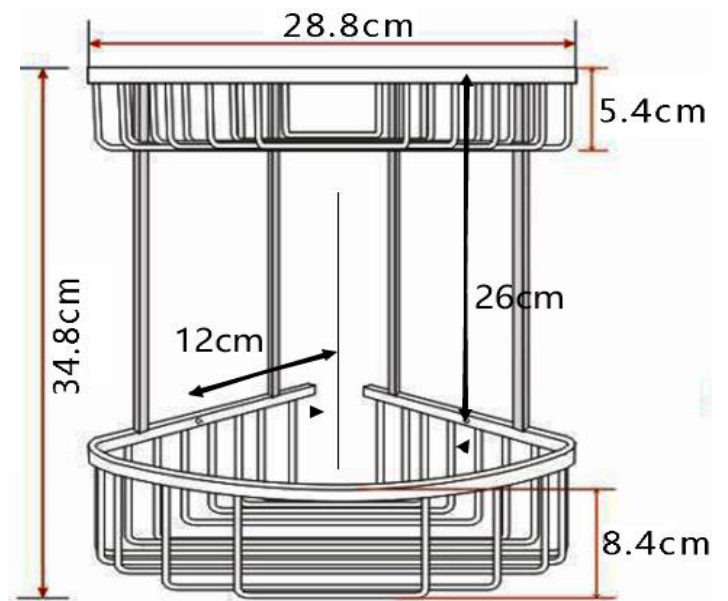


DATA SHEET

THE TUNBRIDGE WELLS
Brassware Co.

Bedgebury Deep Double Corner Basket (Black)



Product

Code: 167.BBDBCBBL

Finish: Matt Black

Standards: Complies with BS5412, BS EN200

Packaging: 113 x 45 x 40.5cm/carton (10 boxes),
Dimension: 26 x 22.5 x 36cm/box;
Weight: 1.75Kg / box

Guarantee: 1 year against
manufacturing faults
(Excluding serviceable parts)