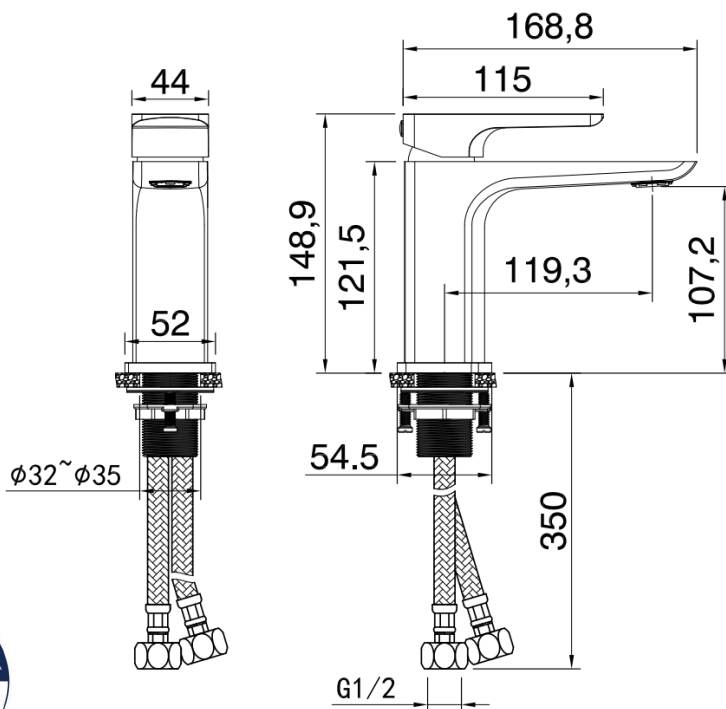


Bedgebury Mono Basin Mixer (Inc. Waste)



Product Code: Chrome 167.BBBM
Matt Black 167.BBBMBL
Brushed Brass 167.BBBMBB

Construction: Brass Body (CuZn40Pb2),
EN CW617N (equivalent to BS CZ122)
Zinc-alloy handle

Water

Pressure: Min. 0.1 bar, Max. 6.0 bar

Plumbing Systems:

Suitable for all plumbing systems,
Hot and Cold water pressure
preferably balanced Max.
supply pressure differential
requirement no greater than 5:1

Standards: Complies with BS6920, BS EN200

Cartridge: 35mm Triduo[®] ceramic disc cartridge

Certification: WRAS (1710044)
approved and certified
manufactured to comply with ACS

Aerator: Neoperl adjustable slim aerator

Fitting: UK: M10 x 350mm G1/2"
BSP female flexi tails
EU: M10 x 350mm G3/8"
BSP female flexi tails

Packaging: 46 x 38 x 34cm / carton (8 boxes)
Dimension: 27 x 22 x 8cm / box
Weight: 2.00Kg / box

Guarantee: 10 years against manufacturers faults
(Excluding serviceable parts)

Additional Information: Supplied with G1 1/4" Slotted Click
Clack Waste, Triduo[®] Volume limiter
(optional)

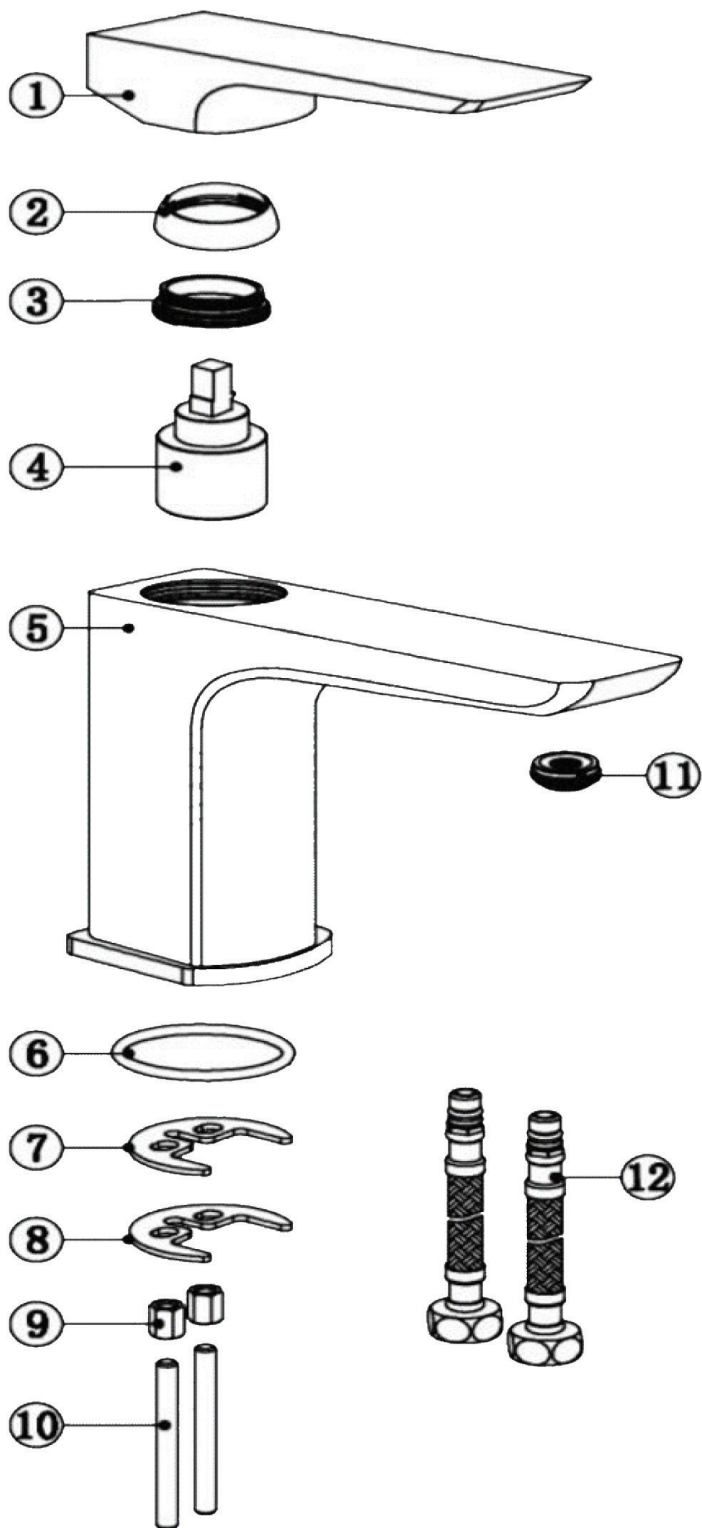
Flow Rates (litres per minute)

System Pressure	0.1 Bar	0.2 Bar	0.3 Bar	0.5 Bar	1.0 Bar	1.5 Bar	2.0 Bar	3.0 Bar	4.0 Bar	5.0 Bar
167.BBBM/BL/BB	3.6	4.8	5.8	7.3	10.3	12.6	14.5	17.8	20.5	22.9

All dimensions are in millimetres unless otherwise stated. The information contained on this page was correct at date of issue. Fitting dimensions are provided as a guide only. Some variation may occur due to manufacturing tolerances. We pursue a policy of continuing improvement in design and performance of our products and so reserve the right to change specifications without prior notice.

167.BBBM/BL/BB

THE TUNBRIDGE WELLS
Brassware Co.



NO.	ITEM	QTY
1	HANDLE	1
2	COLLAR	1
3	CARTRIDGE NUT	1
4	35mm CARTRIDGE	1
5	TAP BODY	1
6	O-RING	1
7	HORSESHOE WASHER	1
8	HORSESHOE PLATE	1
9	BRASS LOCK NUT	1
10	FIXING ROD	1
11	AERATOR	1
12	FLEXI-TAILS	2