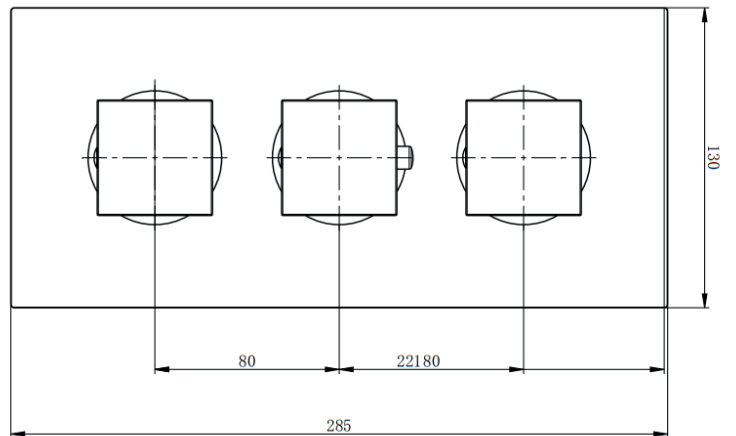
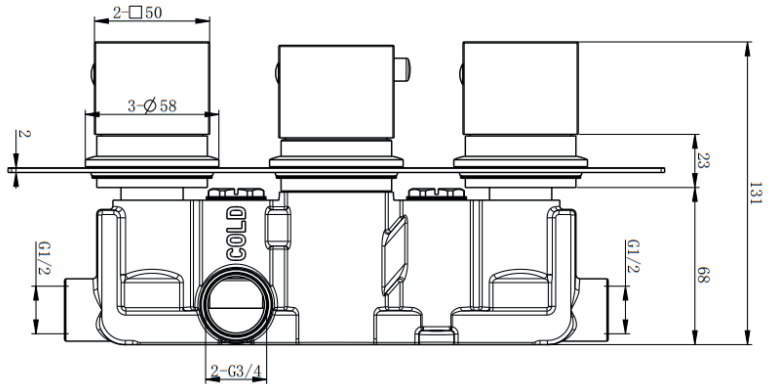


## 167.BB3TSVBB Bedgebury Square Thermostatic Shower Valve

Double Outlet, Three Controls,  
Concealed Thermostatic Mixer Valve



**Product Code:** Brushed Brass 167.BB3TSVBB

**Construction:** Brass Body (CC757S)  
equivalent to EN CuZn39Pb2Al-C;  
SS201 Stainless steel face plate;  
Zinc-alloy handles

**Finishes:** Brass: Brushed Brass

**Water**

**Pressure:** Min 0.5 bar Max 5.0 bar

**Plumbing  
Systems:**

Suitable for all plumbing systems,  
hot and cold water pressure preferably  
balanced Max. supply pressure differential  
requirement no greater than 5:1

**Standards:** Complies with BSEN 1111 - WRAS approved

**Cartridge:** Thermostatic cartridge & two ceramic  
disc valves

**Fitting:** Inlet: Two Brass G3/4" BSP Female thread (Hot  
and Cold) Outlet: Two Brass G1/2" BSP Female  
thread

**Check Valve:** DN20 check valve

**Packaging:** 44 x 35 x 33cm / carton (4 boxes)  
Dimension: 33.5 x 21 x 15.5cm / box  
Weight: 3.13Kg / box

**Guarantee:** 10 years against manufacturing faults  
(excluding serviceable parts)

**Additional  
Information:**

1. Temperature: Pre-set 38°C, with push button  
override to 48°C
2. Automatic shut off in the event of hot or  
cold water supply failure
3. Easy accessible check valve
4. Horizontal or vertical installation possible

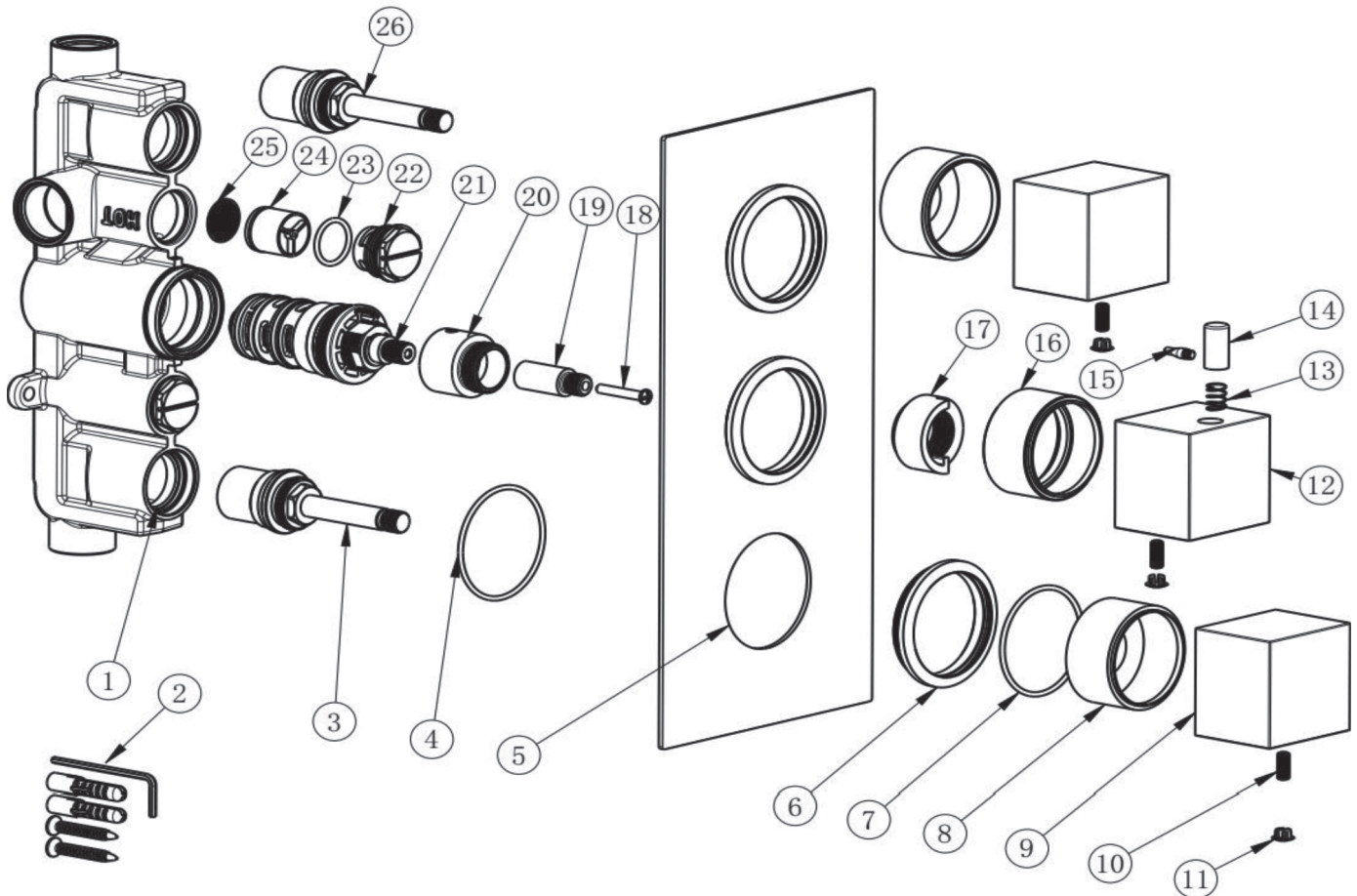
**Flow Rates** (litres per minute)

System Pressure	0.1 Bar	0.2 Bar	0.3 Bar	0.5 Bar	1.0 Bar	1.5 Bar	2.0 Bar	3.0 Bar	4.0 Bar	5.0 Bar
167.BB3TSVBB (handset)	5.7	7.3	8.7	10.9	15.3	18.7	21.5	26.4	30.5	34.1
167.BB3TSVBB (Shower head)	5.6	7.3	8.5	10.8	15.1	18.5	21.2	26.1	30.1	33.7

All dimensions are in millimetres unless otherwise stated. The information contained on this page was correct at date of issue. Fitting dimensions are provided as a guide only. Some variation may occur due to manufacturing tolerances. We pursue a policy of continuing improvement in design and performance of our products and so reserve the right to change specifications without prior notice.

# 167.BB3TSVBB

THE TUNBRIDGE WELLS  
Brassware Co.



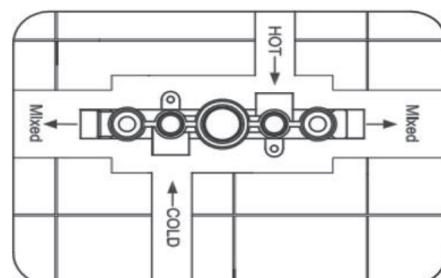
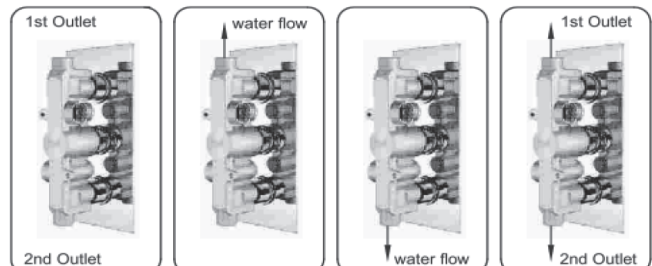
## Installation

Prepare pipes in wall to connect to shower, with cold on the right.

Ensure these pipes are flushed before connecting the mixer.

Two 1/2" male fittings will be required (not supplied) to connect the outlet pipes to the mixer.

Two 3/4" male fittings will be required (not supplied) to connect the supply pipes to the mixer.



NO.	PART DESCRIPTION	QTY
1	BRASS VALVE BODY	1
2	ST5*35 FIXING KIT BAG	1
3	Ø29*G3/4 CERAMIC DISC VALVE (RED)	1
4	Ø48*2 NBR O-RING	3
5	290*130*2 SS201 S/STEEL FACE PLATE	1
6	Ø60*9.2 ZINC-ALLOY FACE PLATE RING	3
7	Ø40.6*2.2 NBR O-RING	3
8	ON/OFF HANDLE COLLAR	2
9	50*50*40 ZINC-ALLOY ON/OFF HANDLE	2
10	HANDLE GRUB SCREW	3
11	Ø7.7*6 ABS COVER CAP	3
12	50*50*40 ZINC-ALLOY THERMO HANDLE	1
13	Ø8*0.5*11 SS304 PUSH BUTTON SPRING	1
14	Ø9.8*20.5 BRASS SAFETY PUSH BUTTON	1
15	Ø4.5*14 SS304 PUSH BUTTON PIN	1
16	THERMO HANDLE COLLAR	1
17	Ø34*18 POM THERMO STOP RING	1
18	M4*25 SS304 CROSS HEAD SCREW	1
19	Ø12.6*33 BRASS CONNECTOR	1
20	Ø29*26.7 BRASS CARTRIDGE COVER	1
21	PPA THERMOSTATIC CARTRIDGE	1
22	CHECK VALVE NUT	2
23	Ø18*2 NBR O-RING	2
24	DN20 CHECK VALVE	2
25	STAINLESS STEEL FILTER WASHER	2
26	Ø29*G3/4 CERAMIC DISC VALVE (BLUE)	1