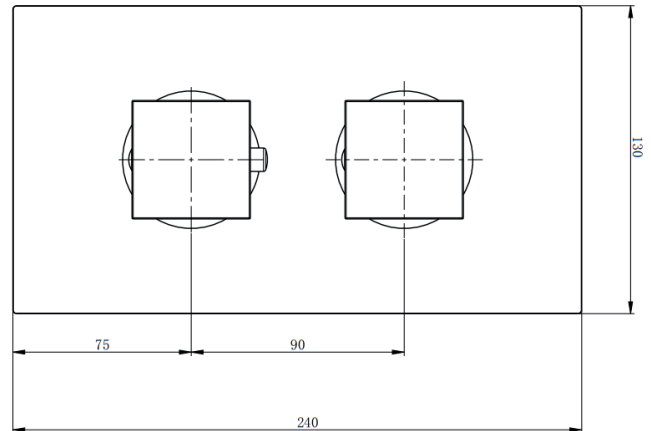
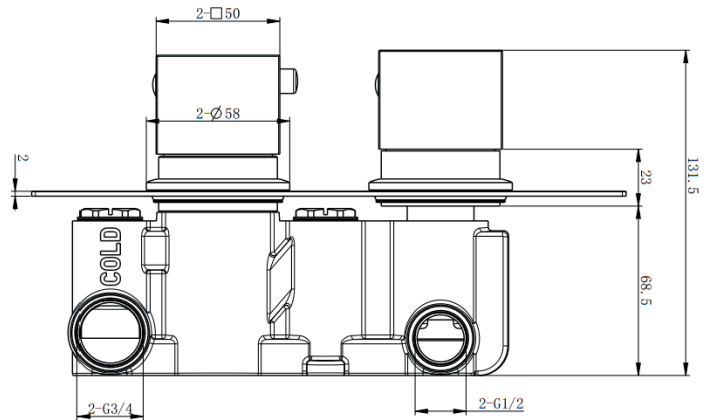


167.BB2TSVBB Bedgebury Square Thermostatic Shower Valve

Double Outlet, Two Controls,
Concealed Thermostatic Mixer Valve



- Product Code:** Brushed Brass 167.BB2TSVBB
- Construction:** Brass Body (CC757S) equivalent to EN CuZn39Pb2Al-C; SS201 Stainless steel face plate; Zinc-alloy handles
- Finishes:** Brass: Brushed Brass
- Water Pressure:** Min. 0.5 bar Max 5.0 bar
- Plumbing Systems:** Suitable for all plumbing systems, hot and cold water pressure preferably balanced Max. supply pressure differential requirement no greater than 5:1
- Standards:** Complies with BSEN 1111 - WRAS approved
- Cartridge:** Thermostatic cartridge & integrated ceramic disc valve diverter

Fitting: Inlet: Two Brass G3/4" BSP Female thread (Hot and Cold) Outlet: Two Brass G1/2" BSP Female thread

Check Valve: DN20 check valve

Packaging: 39 x 29 x 33cm / carton (4 boxes)
Dimension: 37.5 x 13.5 x 15.5cm / box
Weight: 2.50Kg / box

Guarantee: 10 years against manufacturing faults (excluding serviceable parts)

Additional Information:

1. Temperature: Pre-set 38°C, with push button override to 48°C
2. Automatic shut off in the event of hot or cold water supply failure
3. Easy accessible check valve
4. Horizontal or vertical installation possible

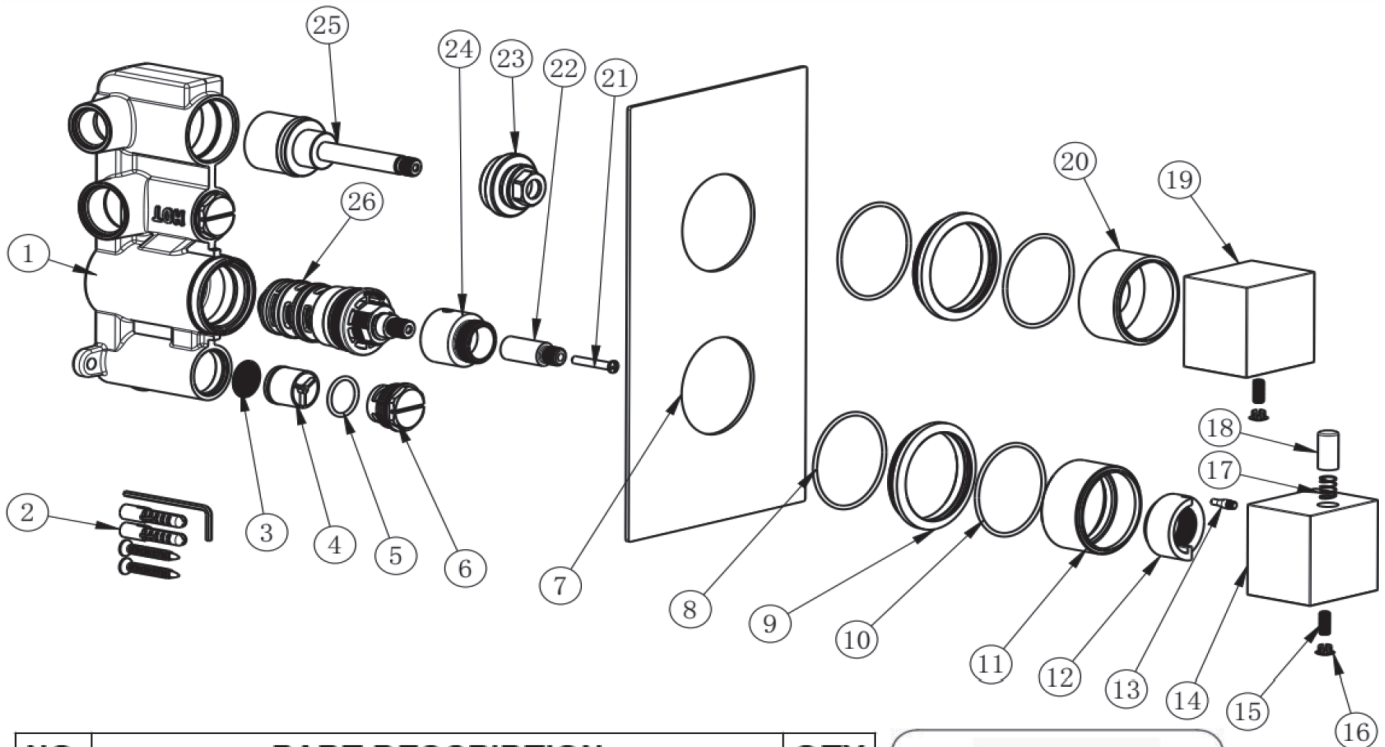
Flow Rates (litres per minute)

| System Pressure | 0.1 Bar | 0.2 Bar | 0.3 Bar | 0.5 Bar | 1.0 Bar | 1.5 Bar | 2.0 Bar | 3.0 Bar | 4.0 Bar | 5.0 Bar |
|-----------------------------|---------|---------|---------|---------|---------|---------|---------|---------|---------|---------|
| 167.BB2TSVBB (With handset) | 5.2 | 6.7 | 7.9 | 10.0 | 14.0 | 17.1 | 19.8 | 24.0 | 27.9 | 31.0 |
| 167.BB2TSVBB (Shower head) | 5.1 | 6.5 | 7.8 | 9.7 | 13.8 | 16.8 | 19.4 | 23.5 | 27.4 | 30.6 |

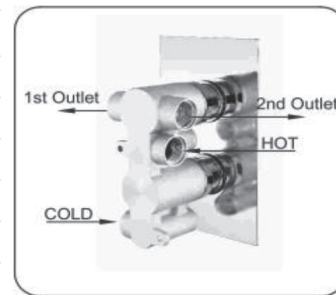
All dimensions are in millimetres unless otherwise stated. The information contained on this page was correct at date of issue. Fitting dimensions are provided as a guide only. Some variation may occur due to manufacturing tolerances. We pursue a policy of continuing improvement in design and performance of our products and so reserve the right to change specifications without prior notice.

167.BB2TSVBB

THE TUNBRIDGE WELLS
Brassware Co.



| NO. | PART DESCRIPTION | QTY |
|-----|------------------------------------|-----|
| 1 | BRASS VALVE BODY | 1 |
| 2 | ST5*35 FIXING KIT BAG | 1 |
| 3 | FILTER WASHER | 2 |
| 4 | DN20 CHECK VALVE | 2 |
| 5 | Ø18*2 NBR O-RING | 2 |
| 6 | CHECK VALVE NUT | 2 |
| 7 | 240*130*2 SS201 S/STEEL FACE PLATE | 1 |
| 8 | Ø48*2 NBR O-RING | 2 |
| 9 | Ø60*9.2 ZINC-ALLOY FACE PLATE RING | 2 |
| 10 | Ø40.6*2.2 NBR O-RING | 2 |
| 11 | THERMO HANDLE COLLAR | 1 |
| 12 | Ø34*18 POM THERMO STOP RING | 1 |
| 13 | Ø4.5*14 SS304 PUSH BUTTON PIN | 1 |
| 14 | 50*50*40 ZINC-ALLOY THERMO HANDLE | 1 |
| 15 | HANDLE GRUB SCREW | 2 |
| 16 | Ø7.7*6 ABS COVER CAP | 1 |
| 17 | Ø8*0.5*11 SS304 PUSH BUTTON SPRING | 1 |
| 18 | Ø9.8*20.5 BRASS SAFETY PUSH BUTTON | 1 |
| 19 | 50*50*40 ZINC-ALLOY ON/OFF HANDLE | 1 |
| 20 | ON/OFF HANDLE COLLAR | 1 |
| 21 | M4*25 SS304 CROSS HEAD SCREW | 1 |
| 22 | Ø12.6*33 BRASS CONNECTOR | 1 |
| 23 | Ø34*10.5*22 BRASS CARTRIDGE NUT | 1 |
| 24 | Ø29*26.7 BRASS CARTRIDGE COVER | 1 |
| 25 | CERAMIC DISC VALVE 2-WAY DIVERTER | 1 |
| 26 | PPA THERMOSTATIC CARTRIDGE | 1 |



Installation

Prepare pipes in wall to connect to shower, with cold on the right.

Ensure these pipes are flushed before connecting the mixer.

Two 3/4" male fittings will be required (not supplied) to connect the outlet pipes to the mixer.

Two 3/4" male fittings will be required (not supplied) to connect the supply pipes to the mixer.

