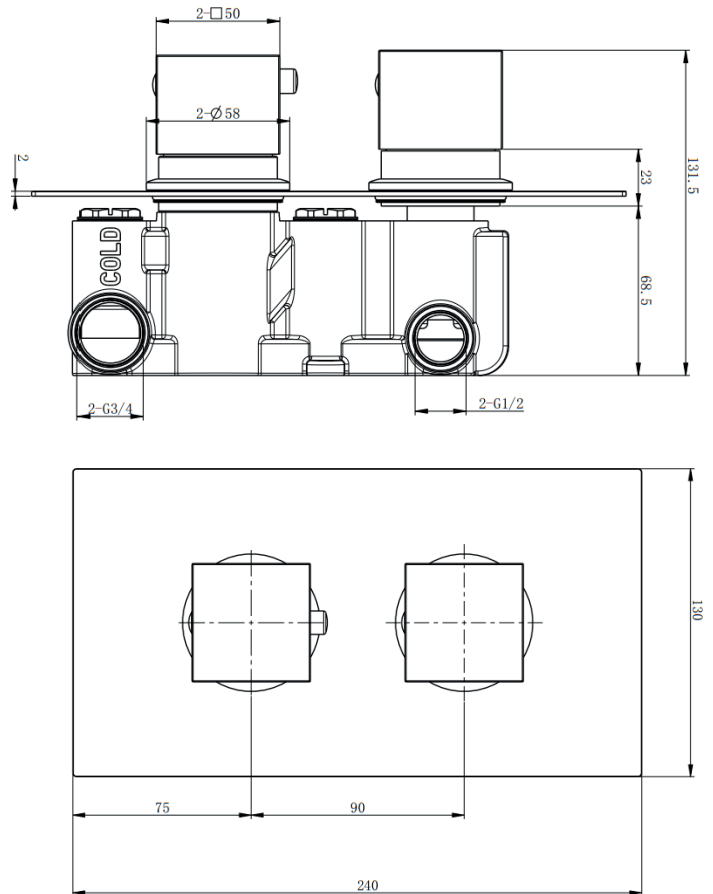


167.BB2TSV Bedgebury Square Thermostatic Shower Valve

Double Outlet, Two Controls,
Concealed Thermostatic Mixer Valve



Product Code: Chrome 167.BB2TSV

Construction: Brass Body (CC757S)
equivalent to EN CuZn39Pb2Al-C;
SS201 Stainless steel face plate;
Zinc-alloy handles

Finishes: **Chrome:** chrome plated to BS EN 248

Water Pressure: Min. 0.5 bar Max 5.0 bar

Plumbing Systems: Suitable for all plumbing systems,
hot and cold water pressure preferably
balanced Max. supply pressure differential
requirement no greater than 5:1

Standards: Complies with BSEN 1111 - WRAS approved

Cartridge: Thermostatic cartridge & integrated ceramic
disc valve diverter

Fitting: Inlet: Two Brass G3/4" BSP Female thread (Hot
and Cold) Outlet: Two Brass G1/2" BSP Female
thread

Check Valve: DN20 check valve

Packaging: 39 x 29 x 33cm / carton (4 boxes)
Dimension: 37.5 x 13.5 x 15.5cm / box
Weight: 2.50Kg / box

Guarantee: 10 years against manufacturing faults
(excluding serviceable parts)

Additional Information:

1. Temperature: Pre-set 38°C, with push button
override to 48°C
2. Automatic shut off in the event of hot or
cold water supply failure
3. Easy accessible check valve
4. Horizontal or vertical installation possible

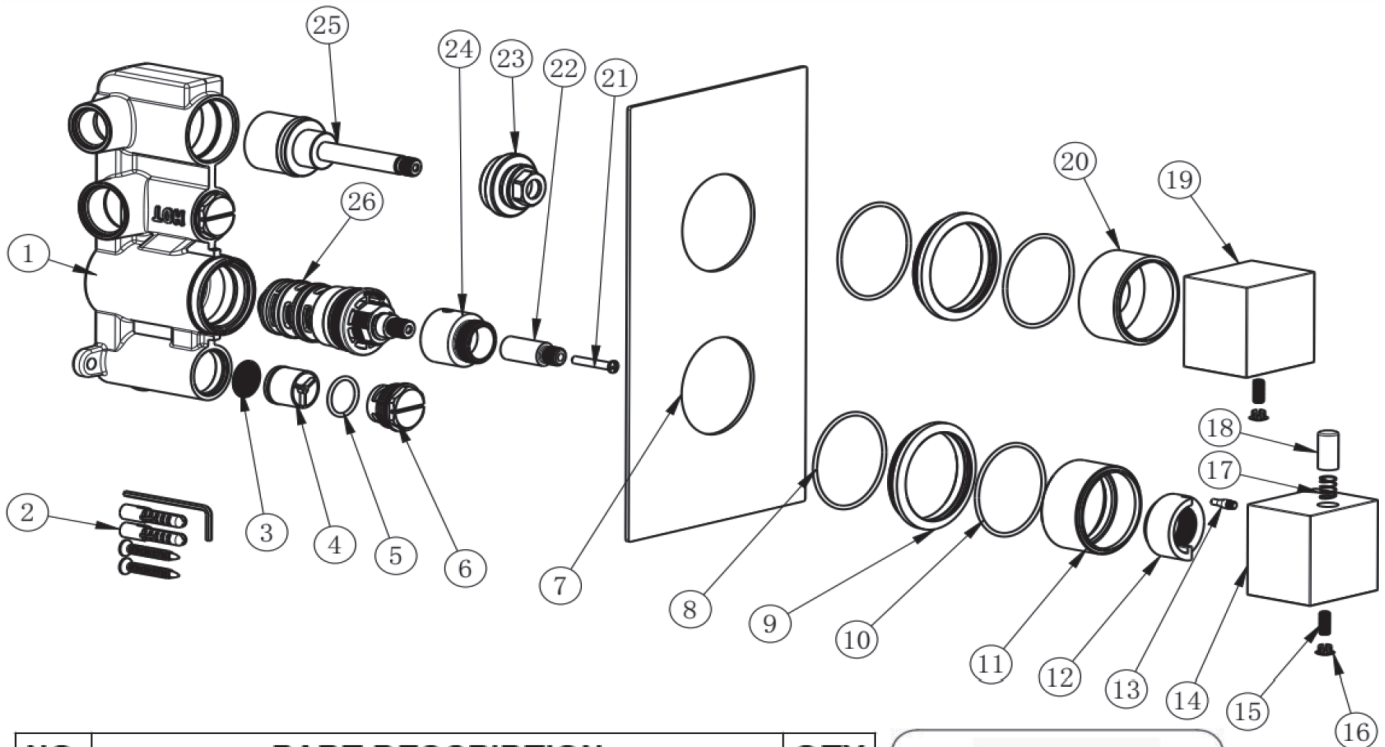
Flow Rates (litres per minute)

System Pressure	0.1 Bar	0.2 Bar	0.3 Bar	0.5 Bar	1.0 Bar	1.5 Bar	2.0 Bar	3.0 Bar	4.0 Bar	5.0 Bar
167.BB2TSV (With handset)	5.2	6.7	7.9	10.0	14.0	17.1	19.8	24.0	27.9	31.0
167.BB2TSV (Shower head)	5.1	6.5	7.8	9.7	13.8	16.8	19.4	23.5	27.4	30.6

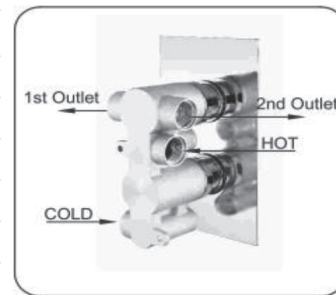
All dimensions are in millimetres unless otherwise stated. The information contained on this page was correct at date of issue. Fitting dimensions are provided as a guide only. Some variation may occur due to manufacturing tolerances. We pursue a policy of continuing improvement in design and performance of our products and so reserve the right to change specifications without prior notice.

167.BB2TSV

THE TUNBRIDGE WELLS
Brassware Co.



NO.	PART DESCRIPTION	QTY
1	BRASS VALVE BODY	1
2	ST5*35 FIXING KIT BAG	1
3	FILTER WASHER	2
4	DN20 CHECK VALVE	2
5	Ø18*2 NBR O-RING	2
6	CHECK VALVE NUT	2
7	240*130*2 SS201 S/STEEL FACE PLATE	1
8	Ø48*2 NBR O-RING	2
9	Ø60*9.2 ZINC-ALLOY FACE PLATE RING	2
10	Ø40.6*2.2 NBR O-RING	2
11	THERMO HANDLE COLLAR	1
12	Ø34*18 POM THERMO STOP RING	1
13	Ø4.5*14 SS304 PUSH BUTTON PIN	1
14	50*50*40 ZINC-ALLOY THERMO HANDLE	1
15	HANDLE GRUB SCREW	2
16	Ø7.7*6 ABS COVER CAP	1
17	Ø8*0.5*11 SS304 PUSH BUTTON SPRING	1
18	Ø9.8*20.5 BRASS SAFETY PUSH BUTTON	1
19	50*50*40 ZINC-ALLOY ON/OFF HANDLE	1
20	ON/OFF HANDLE COLLAR	1
21	M4*25 SS304 CROSS HEAD SCREW	1
22	Ø12.6*33 BRASS CONNECTOR	1
23	Ø34*10.5*22 BRASS CARTRIDGE NUT	1
24	Ø29*26.7 BRASS CARTRIDGE COVER	1
25	CERAMIC DISC VALVE 2-WAY DIVERTER	1
26	PPA THERMOSTATIC CARTRIDGE	1



Installation

Prepare pipes in wall to connect to shower, with cold on the right.

Ensure these pipes are flushed before connecting the mixer.

Two 3/4" male fittings will be required (not supplied) to connect the outlet pipes to the mixer.

Two 3/4" male fittings will be required (not supplied) to connect the supply pipes to the mixer.

