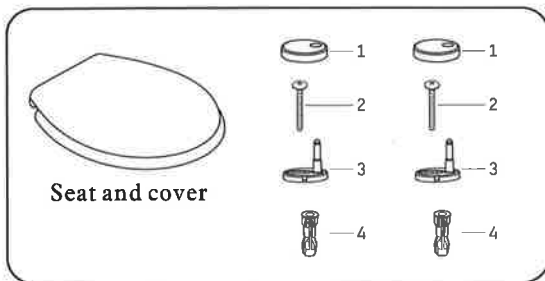
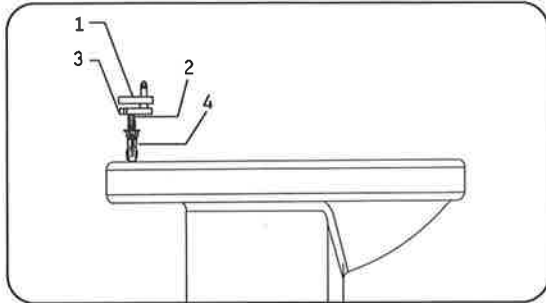


# Installation Instruction

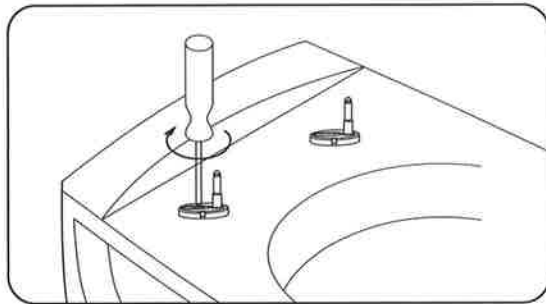
## Option 1 : Top fixing



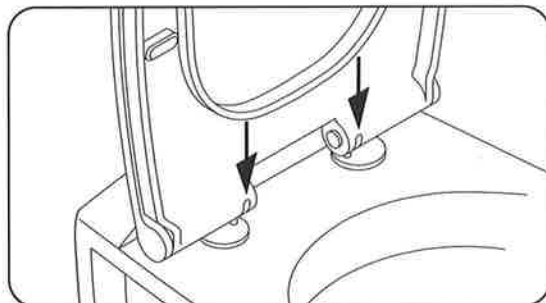
Hinge set.



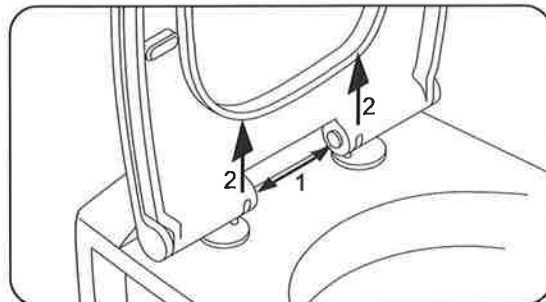
❶ Insert the hinges into the toilet.



❷ Tighten the screws of the hinges.

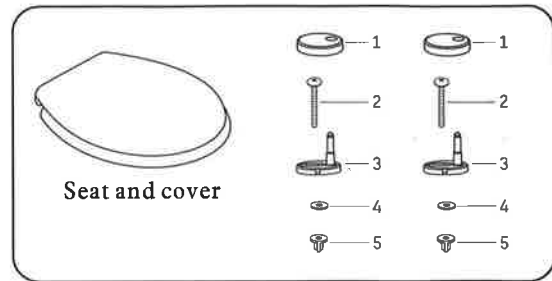


❸ Clip on the toilet seat and cover.

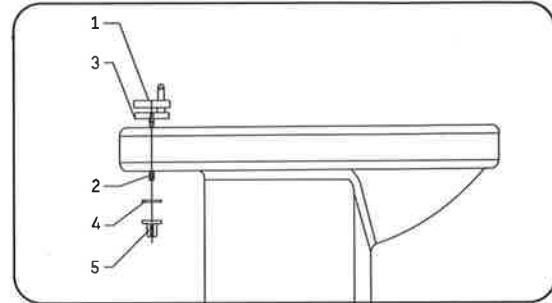


❹ Press 2 buttons to release seat for cleaning

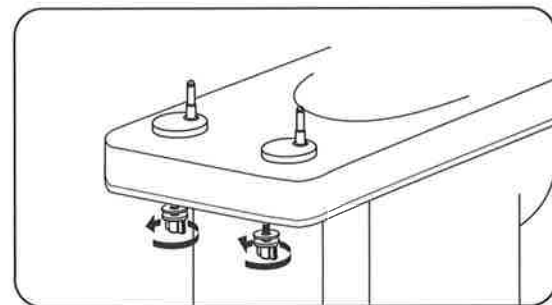
## Option 2 : Bottom fixing



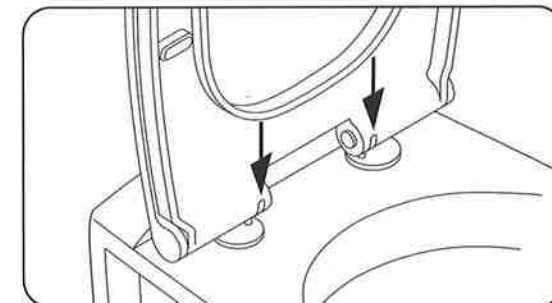
Hinge set.



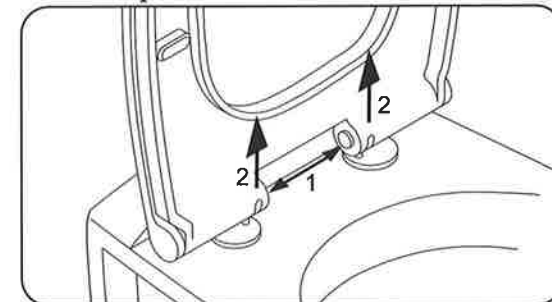
❶ Insert the hinges into the toilet.



❷ Tighten the screws of the hinges.



❸ Clip on the toilet seat and cover.



❹ Press 2 buttons to release seat for cleaning

### Cleaning Instructions

- Use only water to clean up.
- Use only a soft cloth.
- Dry seat after washing.
- Do not use any abrasive cleaners or scourers.

### Remarks

- Hinges should be adjusted to suit the holes in pan before tightening.
- As seat is self or slow closing, do not use force to close the seat or cover ( For soft close seat only ).