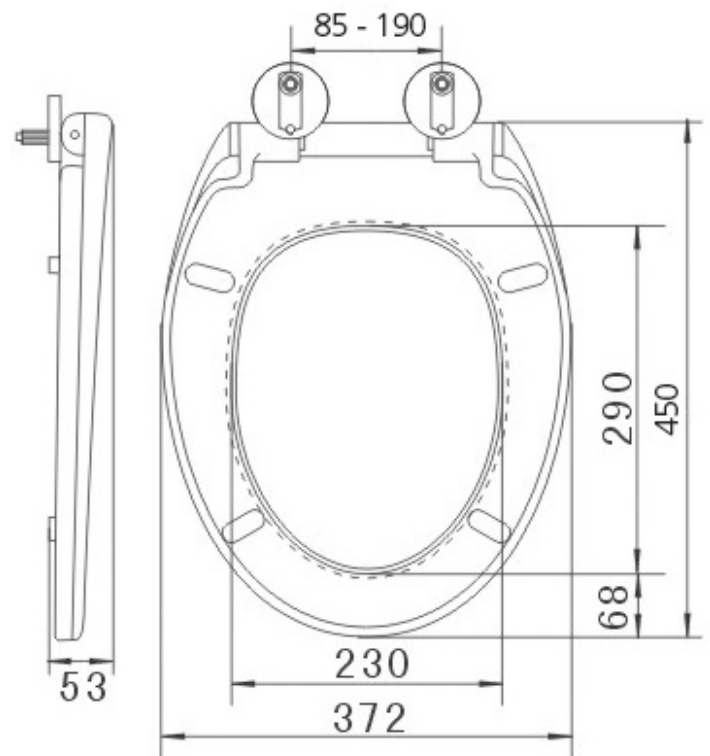


## 134.SCS Base Soft Close Seat



**Product Code:** 134.SCS  
**Weight:** 2 Kg  
**Material:** Polypropylene  
**Soft Close:** Yes  
**Colour:** White  
**Hinges:** Stainless steel

**Fixing:** Quick release top fix  
**Key Features:** Fits most standard pans  
5 year guarantee on soft close seats  
UKCA Compliant