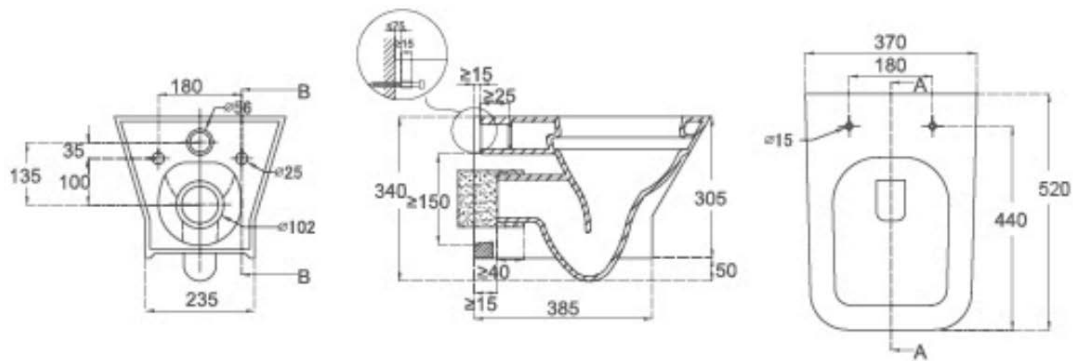


Annabel Square Rimless Wall Hung Pan



CODE: Pan: 134.ASWHP

SIZE: 355(H) x 370 (W) x 510mm (D)

PROJECTION: 510mm

WEIGHT: 26KG

MATERIAL: Vitreous China

COLOUR: White

TECHNICAL: Rimless Pan
Excludes Concealed Frame & Cistern

NOTE: Seat sold separately



With seat 134.ASSCSN



With seat 134.ACHSCS

Artesan Seats to fit 134.ASWHP:
Artesan Slim Soft Close Seat 134.ASSCSN
Artesan Wrap Soft Close Seat 134.ACHSCS