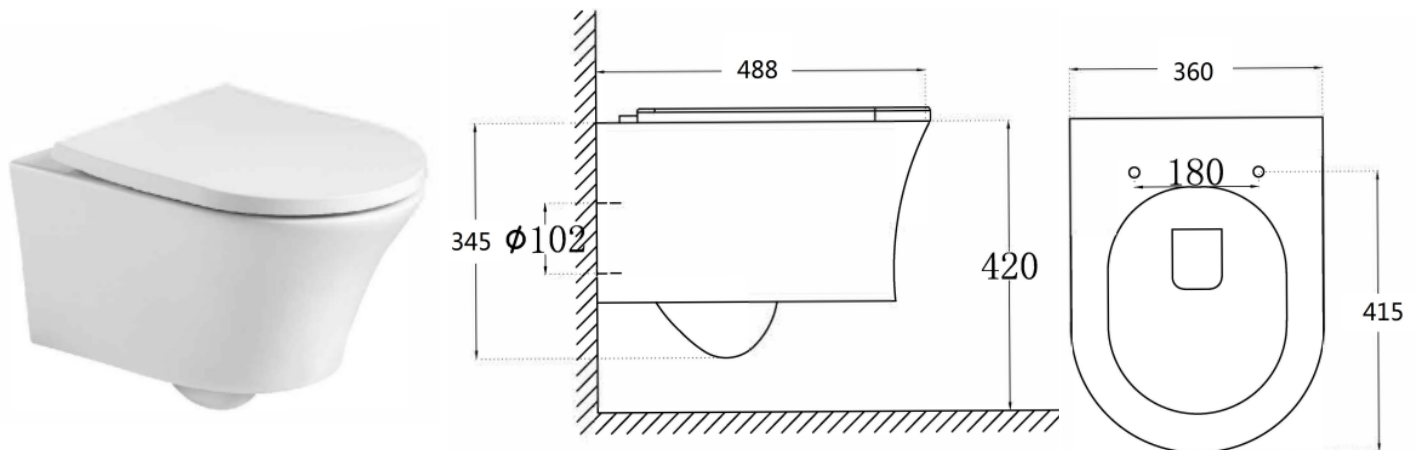


DATA SHEET



134.ARSWHP Annabel Smooth Round Rimless Wall Hung Pan



CODE: Pan: 134.ARSWHP

SIZE: 345(H) x 360 (W) x 488mm (D)

PROJECTION: 488mm

WEIGHT: 26KG Combined

MATERIAL: Vitreous China

COLOUR: White

TECHNICAL: Rimless Pan
Excludes Concealed Frame
& Cistern

NOTE: Seat sold separately



With Seat 134.ASCSN



With Seat 134.ARSCS

Seat Options to fit 134.ARSWHP:

Artesan Slim Soft Close Seat 134.ASCSN

Artesan Wrap Soft Close Seat 134.ARSCS