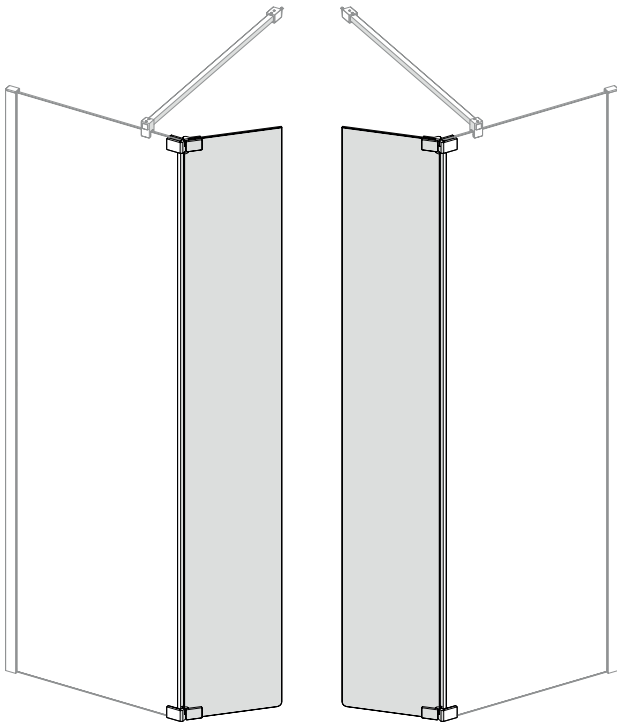


FOLD AWAY DEFLECTOR - 300mm (8mm & 10mm)

Please read these instructions throughout before installing as incorrect fitting will invalidate the guarantee.
If you are unsure about these instructions please contact Barwick Bathroom Distribution LLP 01274 687555.

HEALTH & SAFETY WARNING

DUE TO THE WEIGHT & SIZE OF THE GLASS PANEL(S) A MINIMUM OF TWO PERSONS ARE REQUIRED TO MOVE AND INSTALL THIS ENCLOSURE

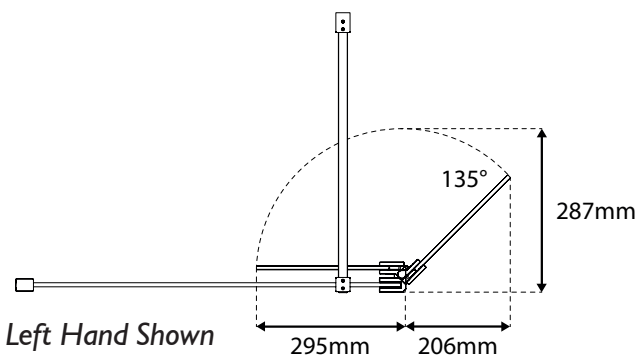


Left Hand Fold Away
Return Deflector Panel

Right Hand Fold Away
Return Deflector Panel

These instructions show fitting of left hand deflector panel, right hand deflector panel is mirror image of these.

Product Size



Tools Required



Cleaning - General

For the wall post and fixings use only warm soapy water and damp cloth/ sponge on a regular basis. After cleaning please rinse with clean water to remove any residue.

Do not use abrasive scouring powders, chemicals or aerosol cleaners - these may result in damage to the surfaces, in particular, the plated component parts.

Glass Treatment

The glass panels are pre-treated with a protective coating on the inside surfaces only. Whilst this makes cleaning the glass easier and helps prevent the build up of harmful lime-scale and soap deposits, the glass still needs to be maintained on a regular basis. We recommend the use of a detergent and aroma free glass cleaner (A 50/50 mix of white vinegar and water works well)

DO NOT use strong detergents, abrasive cleaners or abrasive scrubbing equipment for cleaning, these can damage the coating.

DO use a squeegee to remove remaining droplets of water from glass after showering, any build up of residue can be removed easily using an appropriate cleaner and agitation from soft cleaning equipment

Important

Check appearance of all product - any defects must be reported to your retailer before assembly/installation. Claims for imperfections will only be accepted prior to assembly/installation.

Any claims made under the terms of the Lifetime Guarantee must be reported to your retailer within 21 days of the fault occurring

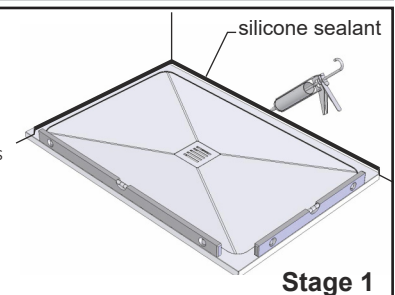
Check the enclosure adjustment sizes are suitable for your installation.

Use care when drilling into the walls to avoid hidden pipes or electric cables.

Shower Tray

Ensure the top of shower tray is LEVEL in ALL directions.

Once the tray is installed but before the wall tiles are fitted, any gap between the tray and the walls must be filled with silicone sealant flush with the top of the tray.



Stage 1

Once the walls have been tiled but before the enclosure is installed, the tiles must be silicone sealed to the tray all of the way around in one continuous bead.

Failure to follow these instructions will result in leakage problems.

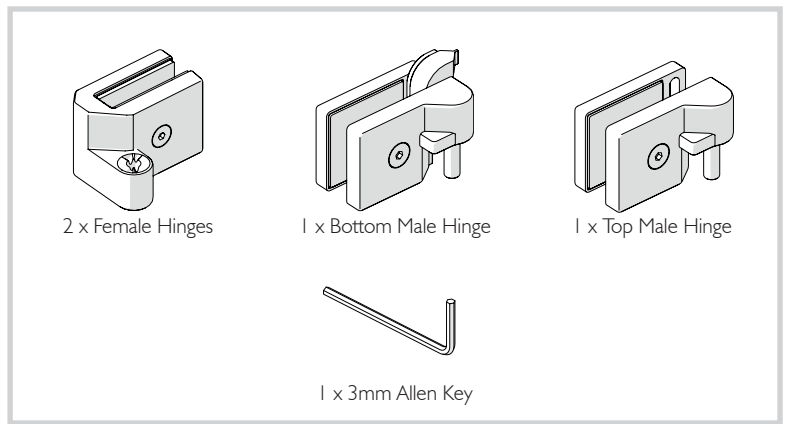
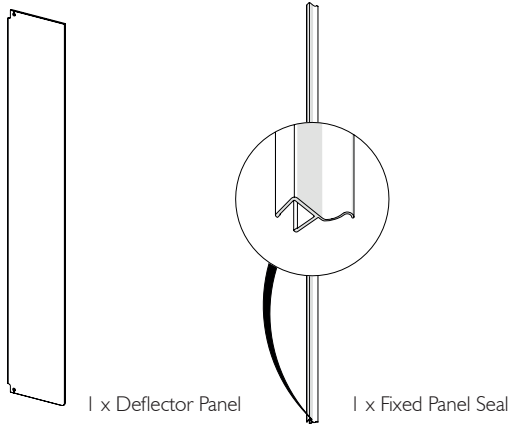


Stage 2

THESE INSTRUCTIONS ARE TO BE LEFT WITH THE CONSUMER

Parts List

Door Pack for Recess & Corner



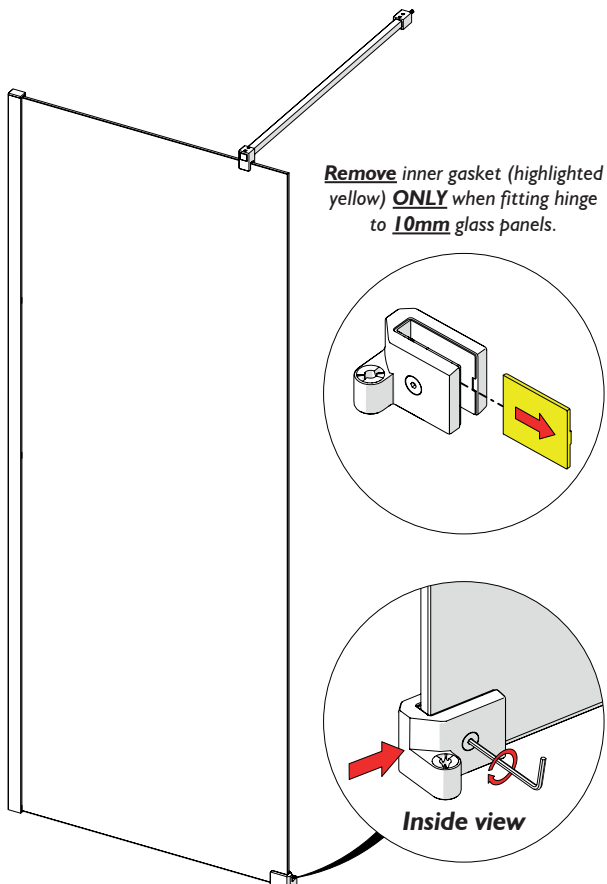
Installation Steps

Step 1 - Clean Main Glass Panel

1. Clean main glass panel to ensure this is free of debris and grease. Panel **MUST** be thoroughly **DRY** before fitting deflector panel.

Step 2 - Fit Bottom Female Hinge

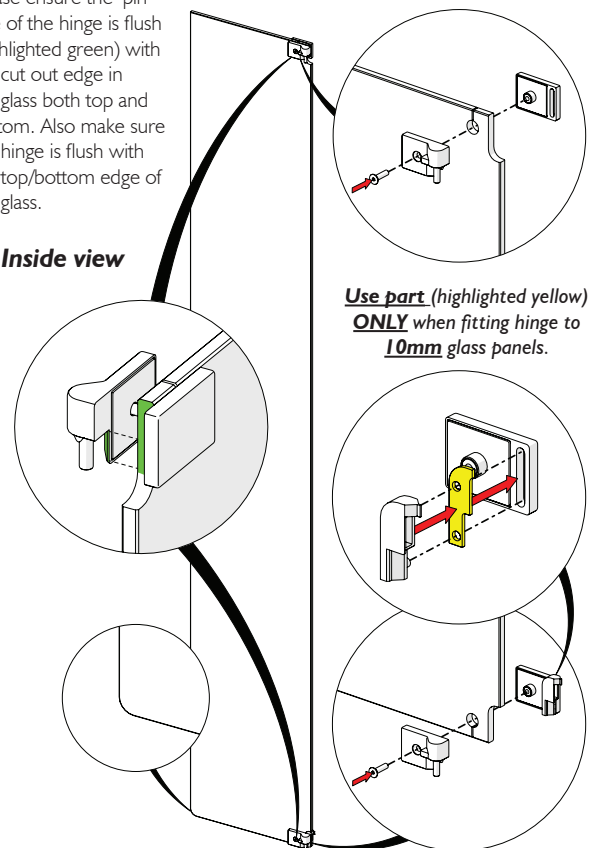
1. Ensuring screw faces to inside, fit female hinge to bottom of main glass panel and fully tighten screw with 3mm allen key provided. Hinge must be in contact with showertray/tiled floor and tight against edge of glass panel.



Step 3 - Fit Male Hinges to Deflector Panel

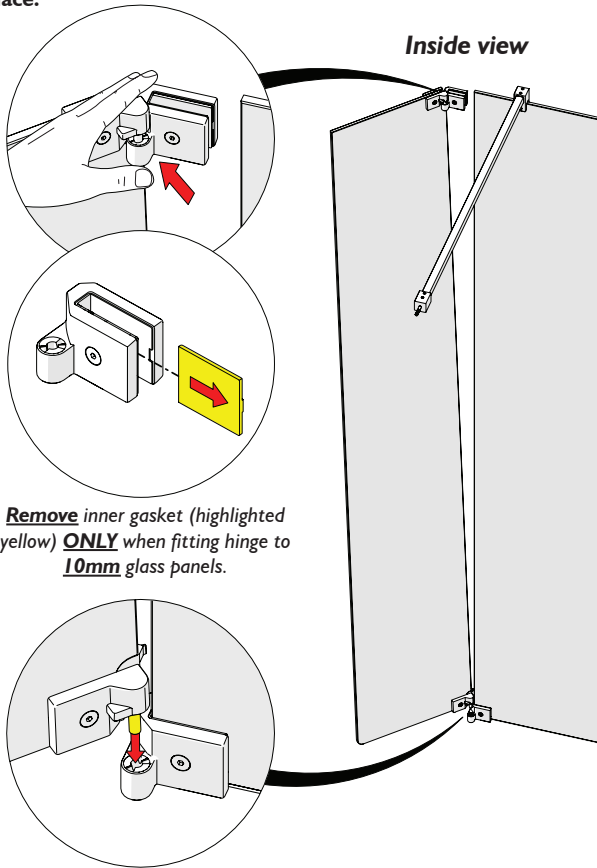
1. 'This surface to the outside' label will determine the panels orientation. Fit both bottom and top male hinges to the deflector glass panel, as shown. Make sure screws heads face the inside of the enclosure and the radius is at the bottom, as shown. Fully tighten screws with 3mm allen key provided. Please ensure the 'pin' side of the hinge is flush (highlighted green) with the cut out edge in the glass both top and bottom. Also make sure the hinge is flush with the top/bottom edge of the glass.

Inside view



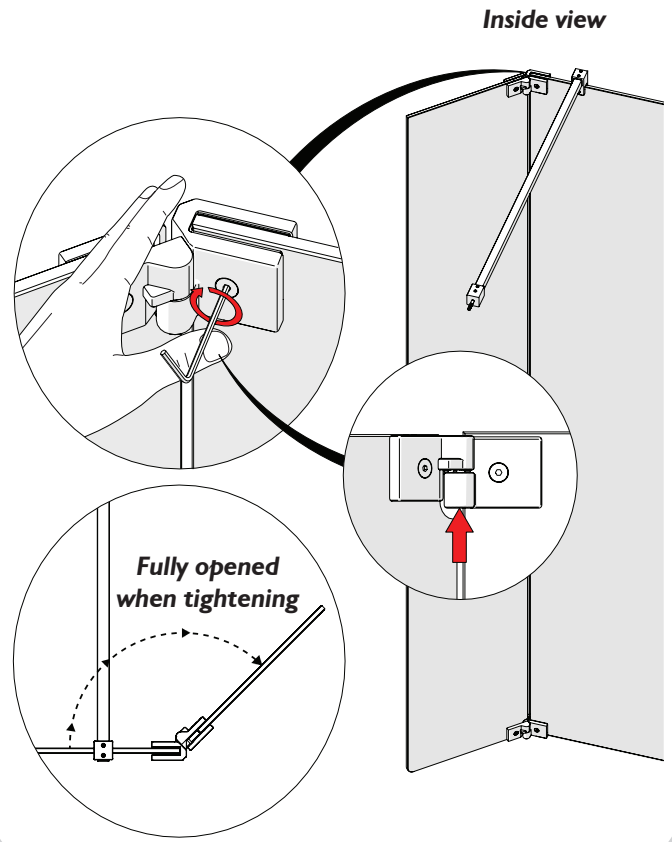
Step 4a - Lift Deflector Assembly into Position

1. Carefully lift assembled panel and engage bottom male hinge pin into fixed panel bottom female hinge. Whilst in this position engage the top male hinge pin into the top female hinge. Hold in this position. **Do not let go as this will mean the loose hinge will fall and potentially damage the floor surface.**



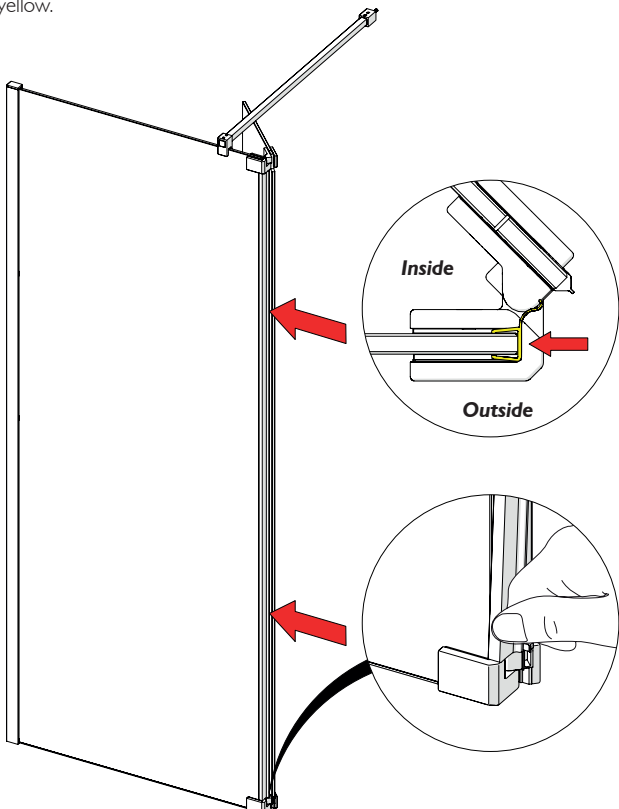
Step 4b - Fix Deflector Assembly into Position

1. **Whilst still being held**, slide the top female hinge onto the fixed panel whilst still engaged with the top male hinge. Make sure the deflector is fully opened, as shown below. Push the top female hinge up as far as it will get then tighten screw with 3mm allen key provided. Remove 'This surface to outside label' once installed.



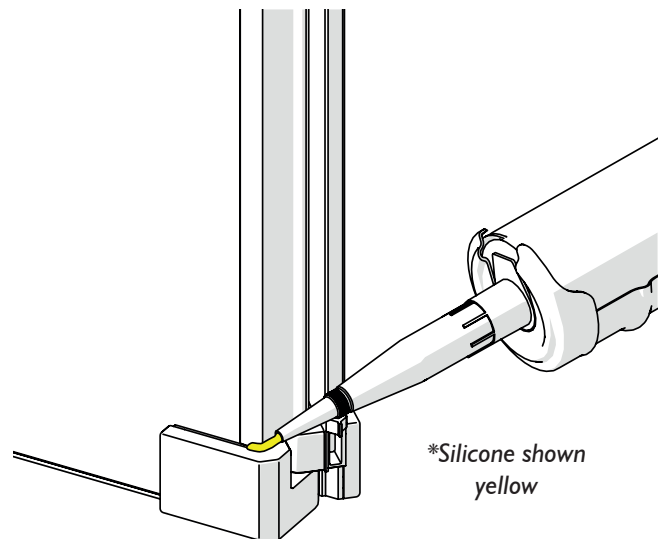
Step 5 - Fit Seal

1. Push seal to edge of Fixed Panel glass. Start from the bottom to top, ensuring this is tight against the bottom female hinge. Orientate as shown in yellow.



Step 6 - Add Silicone to Seal

1. Add a very small amount of silicone to the bottom of the seal where the seal meets the female hinge, as shown.



Step 7 - Wait 24hr

1. Allow 24 hours before using the shower.
2. Do not use deflector panel for hanging towels / garments etc.

