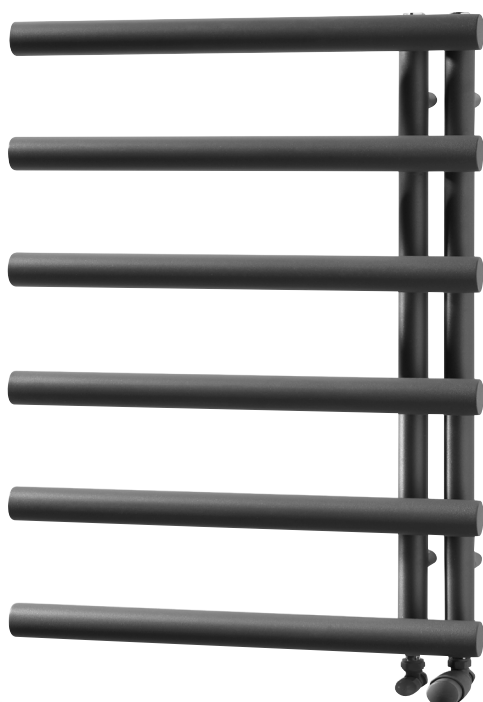


## 02.CVTR57/512 Calverley Chrome/Anthracite Radiator

795 x 500mm Illustrated in anthracite



1245 x 500mm Illustrated in chrome



### Radiator Specification

**Finish:** Chrome/Anthracite

**Material:** Steel

**Warranty:** 10-year manufacture

**Standards:** Product tested in accordance with EN442

**Connections:** 1/2"

**Max working pressure:** 10 bar

### Features and Benefits

Suitable for any central heating system

Multiple towel space provides a busy bathroom with the perfect storage solution

### Additional:

Excludes Valves

Suitable for use with dual fuel adapter, sold separately

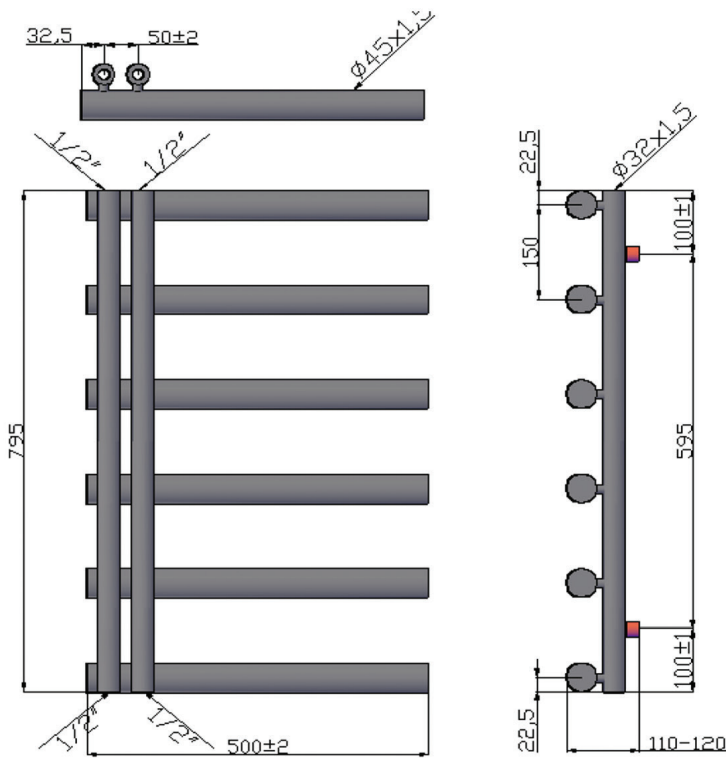
Code	Finish	Height (mm)	Length (mm)	Depth (mm)	Pipe Centres (mm)	Output (Watts)	Output (BTUs)	Weight (kg)
02.CVTR57C	Chrome	795	500	110-120	50 +2	227	775	5.5
02.CVTR512C	Chrome	1245	500	110-120	50 +2	333	1136	9.4
02.CVTR57A	Anthracite	795	500	110-120	50 +2	341	1163	5.5
02.CVTR512A	Anthracite	1245	500	110-120	50 +2	501	1709	9.4

All dimensions are in millimetres unless otherwise stated. The information contained on this page was correct at date of issue. Fitting dimensions are provided as a guide only. Some variation may occur due to manufacturing tolerances. We pursue a policy of continuing improvement in design and performance of our products and so reserve the right to change specifications without prior notice.

02.CVTR57C  
 02.CVTR512C  
 02.CVTR57A  
 02.CVTR512A

THE TUNBRIDGE WELLS  
 Brassware Co.

795 x 500mm



1245 x 500mm

