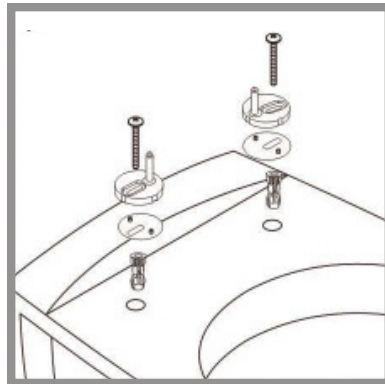
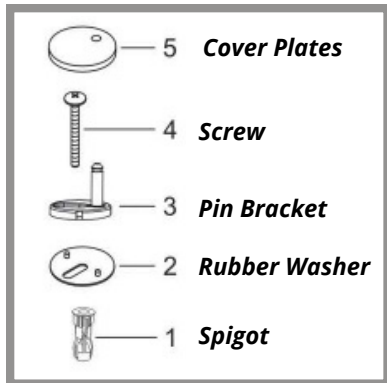
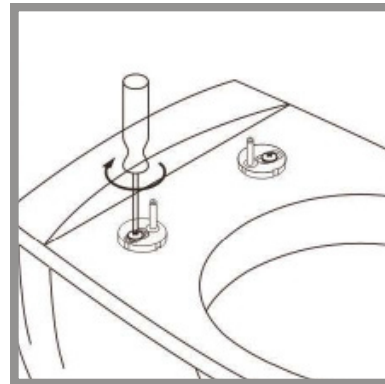


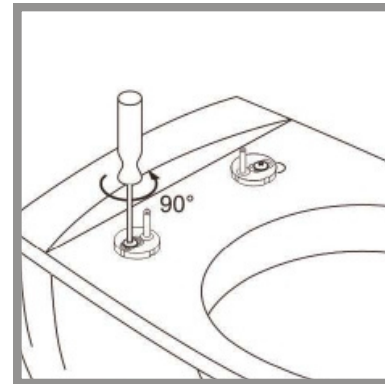
SOFT CLOSE TOILET SEAT FITTING GUIDE 1
PLEASE RETAIN FOR FUTURE REFERENCE



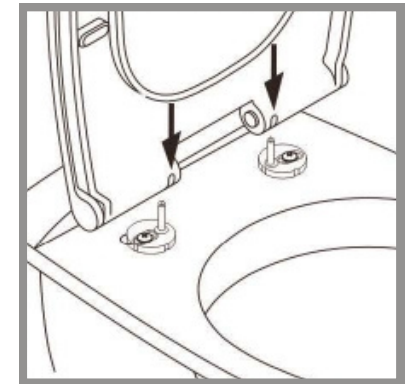
Insert the hinges into the toilet



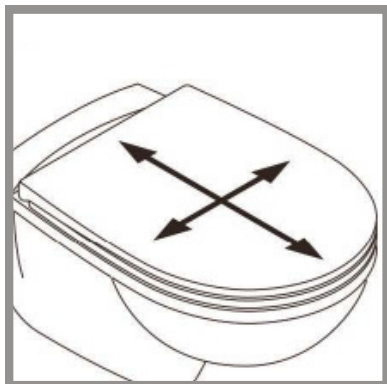
Tighten the screws in a clockwise direction (Do not over tighten)



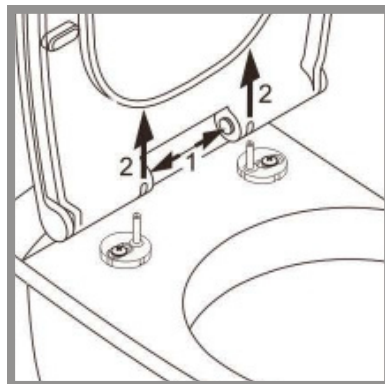
Untighten the screws by turning them 90° in a anti-clockwise direction this will allow you to align the seat



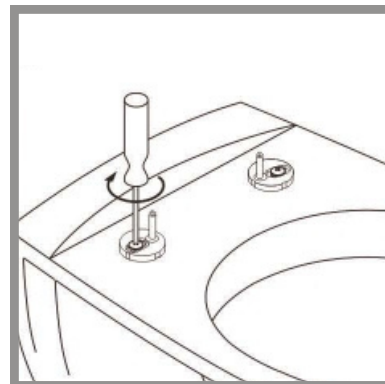
Clip on the toilet seat



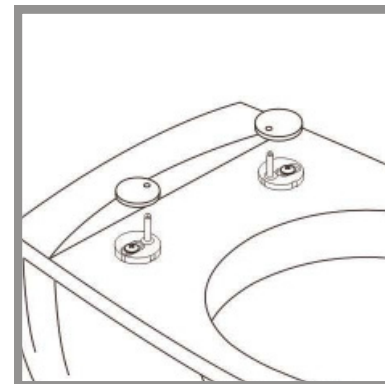
Align the toilet seat with the bowl



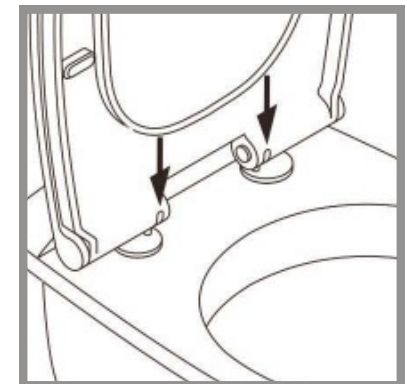
Take off the toilet seat by pressing both push buttons



Tighten the screws in a clockwise direction



Place the covers over the hinges



Clip on the toilet seat cover