

## 01.LWA9\*\* Luxury Shower Waste 90mm



<b>Product Codes:</b>	<b>Chrome</b>	01.LWA9
	<b>Matt Black</b>	01.LWA9B
	<b>Brushed Brass</b>	01.LWA9BB

Quality polypropylene high flow shower trap suitable for a 90mm shower.

Trap uses easy grip compression nuts, tapered rubber seal, rubber 'O' ring and a slip ring to give a secure water tight seal.

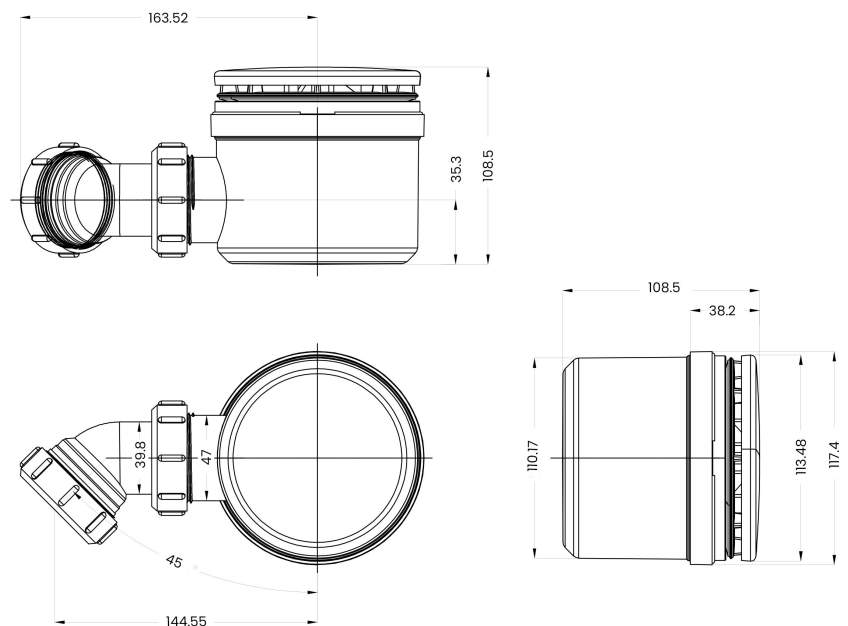
Easy to Clean

Suitable for 1½" Pipe

Suitable for Shower Trays with 90mm Hole

50mm Water Seal

Manufactured In High Quality Polypropylene



All dimensions are in millimetres unless otherwise stated. The information contained on this page was correct at date of issue. Fitting dimensions are provided as a guide only. Some variation may occur due to manufacturing tolerances. We pursue a policy of continuing improvement in design and performance of our products and so reserve the right to change specifications without prior notice.