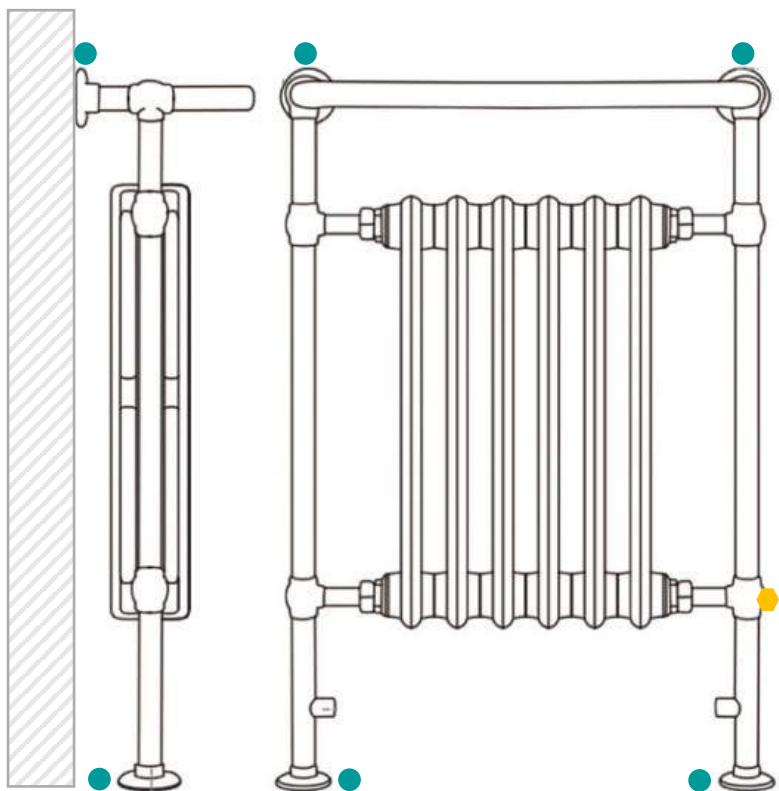


## Fitting Instructions for Columbine & Leo Central Heating Models & Columbine Dual Fuel

Installation by qualified plumber recommended.

- Flange position on all models
- Removable nut location on dual fuel / electric models for element insertion.



### INTRODUCTION

The model we supplied may vary from the image shown but the procedure is the same.

### GUARANTEE AND AFTERCARE

During installation, extra care must be taken to avoid damaging the lining or its finish. To maintain the appearance of the fitting, please ensure it is cleaned using a clean, soft damp cloth only. Abrasive cleaners or detergents must not be used as they may cause surface deterioration. We provide a 10-year guarantee against faulty workmanship or materials (excluding serviceable parts) providing they have been installed, cared for and used in accordance with our instructions.

### FITTING PROCEDURE (floor mounted)

1. Remove radiator and fixing kit from box.
2. Fix the top flanges to the radiator and secure with grub screw located underneath the rail. (if supplied, flanges are loose in the box)
3. Offer the radiator up to the wall in the required place. Note: The radiator must be fitted against a flat wall and floor.
4. Mark out the hole positions for the screws on the wall and floor. There are 3 holes in each flange, or one brass fixing peg. (These come fitted into flanges on some models)
5. Drill holes in the wall and floor to suit the rawl plugs provided.
6. Fit the rawl plugs into the wall.
7. Remove the top flanges from the radiator by means of the grub screw underneath the rail. (*only applies to radiators with removable flanges*)
8. Screw the top flanges to the wall in the correct position. (alternatively, screw the fixing pegs to the wall and floor)
9. Push the radiator back into the flanges and tighten the grub screws. (or push over fixing pegs)
10. Screw the radiator to the floor through the bottom flanges. (or tighten grub screws onto fixing pegs)
11. Hudson Reed radiator valves (not supplied) need to have a substantial length of PTFE tape wrapped around the thread, and then be screwed into the radiator inlets. (This is to create an adequate water seal as per good plumbing practice.)
12. Ensure that the inlets on the valves are pointing down towards the floor.
13. The copper inlet pipes are fed into the valves through the floor and are secured to the valves by lightening the nut up (The copper olive will make a watertight seal.)
14. Check for leaks.